



CM7008T-GS

Coffee machine

With milk frother



EN - Manual.....	2	IT - Istruzioni per l'uso	54
NL - Gebruiksaanwijzing	15	ES - Instrucciones de uso	67
FR - Mode d'emploi	28	SE - Instruktioner	80
DE - Anleitung	41	PL - Instrukcje	93

IMPORTANT SAFEGUARDS

When using electrical appliances, basic safety precautions should always be followed to reduce the risk of fire, electric shock and/or injury to persons, including the following:

1. Read all instructions.
2. Make sure that your outlet voltage corresponds to the voltage stated on the rating label of the coffee maker.
3. To protect against fire, electric shock and injury to persons do not immerse cord, plug or unit in water or other liquid.
4. Close supervision is necessary when any appliance is used by or near children.
5. Unplug from outlet when not in use and before cleaning. Allow to cooling before putting on or taking off parts, and before cleaning the appliance.
6. Do not operate any appliance with a damaged cord or plug or after the appliance malfunctions, or has been damaged in any manner. Return appliance to an authorized service facility for examination, repair or adjustment.
7. The use of accessory not recommended by the appliance manufacturer may result in fire, electric shock or injury to persons.
8. To disconnect, turn any control to the off position then remove plug from wall outlet.
9. Do not touch any hot surfaces, use handles or knobs.
10. Do not use outdoors or for commercial purposes.
11. Do not let cord hang over edge of table or counter, or touch hot surface.
12. Use on a hard, flat level surface only, to avoid interruption of airflow underneath the appliance.
13. Always be sure to place the water reservoir tightly back in the unit with its lid closed and fill with water on or above the minimum before turning appliance on.
14. Do not remove the porta-filter while brewing coffee. Please make sure the three lights are on before you remove the porta-filter to make additional coffee. Caution should also be taken while removing the porta-filter since the

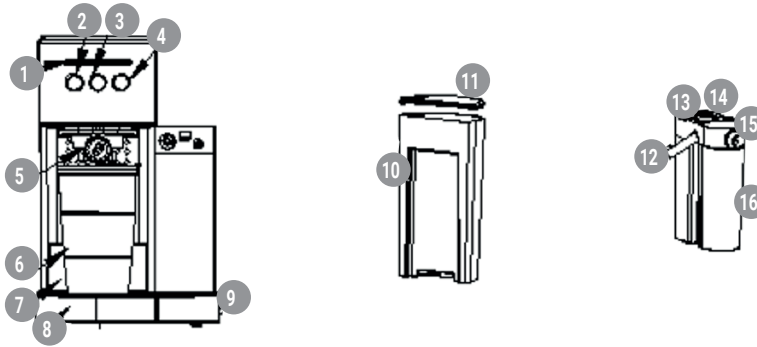
- metal parts will be hot. Please make sure to hold it by the handle and to use the filter retention clip to dispose the grounds. Caution should be taken when moving unit with hot liquids.
15. Do not remove the water reservoir until unit is turned off.
 16. This appliance is not intended to be operated by means of an external timer or separate remote-control system.
 17. The appliance can be used by children aged from 8 years and above and persons with reduced physical, sensory or mental capabilities or lack of experience and knowledge if they have been given supervision or instruction concerning use of the appliance in a safe way and understand the hazards involved. Children shall not play with the appliance. Cleaning and user maintenance shall not be made by children unless they are older than 8 and supervised.
 18. Keep the appliance and its cord out of reach of children less than 8 years.
 19. Before removing any of the parts and accessories, make sure the three lights are on, press the power button to the off position "0" and unplug the appliance.
 20. Do not remove the porta-filter at any time during the brewing process.
 21. Use caution when removing the porta-filter. The metal parts may still be very hot. Also, there may be hot water floating on the top of the filter. Hold it only by its handle and dispose of the brewed coffee ground by using the filter retention clip.
 22. If coffee does not drip, the filter is blocked. Turn off the appliance and allow it to cool down. The blockage may be caused by the coffee being too finely ground. See the "PROBLEMS AND CAUSES" section.
 23. WHEN CLEANING THE FROTHED MILK DISPENSING TUBE: Place a large cup under the tube. Fill the milk reservoir with water and place it back on the unit. Turn the Froth Control Knob clockwise to the clean position " " then press the latte/clean button for 3 seconds and release to activate the clean function. Let the unit dispense the water through the tube for approximately 30 seconds and then press the Latte/Clean Button once to stop the process.
 24. Do not place on or near a hot gas or electric burner, or in a heated oven.

25. Do not use appliance for other than intended use.
26. Do not leave the appliance on unattended.
27. This appliance is intended to be used in household and similar applications such as:
 - Staff kitchen areas in shops, offices and other working environments;
 - Farm houses;
 - By clients in hotels, motels and other residential type environments;
 - Bed and breakfast type environments.
28. Save these instructions.

CAUTION: PRESSURE

In order to avoid possible burns to body parts and/or other injury from hot steam and water or damages to the unit, never remove the water reservoir or the porta-filter while your espresso/cappuccino maker is brewing coffee or frothing. Make sure the three lights are on before you can remove the porta-filter to make additional cups of coffee. If you need to add more water or milk to the reservoirs, please make sure the three lights are on and ensure to switch off the unit by pressing the red button on the side of the unit to the off position "0".

KNOW YOUR COFFEE MAKER



1	Indicator	9	Power switch
2	Espresso button	10	Removable water tank
3	Cappuccino button	11	Water tank lid
4	Latte button	12	Frothed milk dispensing tube
5	Porta-filter	13	Frothing tube lever
6	Travelling cup	14	Froth control knob
7	Cup height adjusting drawer	15	Milk reservoir lid
8	Drip tray	16	Removable/clear milk reservoir

FOR THE FIRST USE

Cleaning and priming the unit prior to first use.

Please refer to the "Know your coffee maker" section to familiarize with the product and identify all parts.

1. Please make sure the unit is off "0" by pressing the power button located on the side of the unit. Make sure it is unplugged from the electrical outlet.
2. Remove stickers and labels from the unit.
3. First remove and then wash the water reservoir, the milk reservoir, the porta-filter, the three filters and measuring scoop in a mixture of mild detergent and water. Rinse each thoroughly and place them back into the unit.

4. Refer to the instructions on “PLACING THE PORTA-FILTER” section before placing or removing the porta-filter and filter from the unit.
5. To clean the inside of the appliance, follow the steps listed on the “PREPARING CAPPUCCINO” section using water in both reservoirs and no coffee in the filter. Do not immerse the appliance in water or attempt to reach any of its internal parts.

NOTE: In order for your unit to work properly time after time, clean it after every use.

IMPORTANT –PRIME THE UNIT

To prime unit, run the steam cycle for 90 seconds by following the steps below:

1. Fill water reservoir between the “Min” and “Max” levels.
2. Fill the milk reservoir with water between the “Min” and “Max” levels.
3. Select one of the filters and place it on the porta-filter. Place the porta-filter in the unit ensuring it is properly locked and place a cup under it. Also, make sure the tip of the frothed milk dispensing tube is inside the cup.
4. Plug the appliance into the appropriate outlet.
5. Turn the power button on “I”.
6. The three control panel lights will start blinking. Once these lights become solid, press the cappuccino button twice.
7. Once this process is completed, the three control panels will turn on solid.

Now your unit has been primed and is ready to be used.

SELECTING THE RIGHT CUP

Before preparing your beverage, please make sure to select the right cup size according to the following table:

Caffé Barista Ratios		
Espresso	Single Double	60 ml (2oz) 119 ml (4oz)
Cappuccino	Single Double	178 ml (6oz) 355 ml (12oz)
Latte	Single Double	296 ml (10oz) 474 ml (16oz)



SELECTING THE RIGHT COFFEE

THE COFFEE

The coffee should be freshly ground and dark roasted. You may want to try a French or Italian roast ground for espresso. Pre-ground coffee will only retain its flavor for 7 – 8 days, provided it is stored in an airtight container and in a cool, dark area. Do not store in a refrigerator or freezer. Whole beans are recommended to be ground just before use. Coffee beans stored in an airtight container will keep its flavor for up to 4 weeks.

THE GRIND

This is a vital step in the espresso making process if you are grinding your own coffee and takes practice. The coffee must be of a fine grind.

The correct grind should look like salt.

If the grind is too fine, the water will not flow through the coffee even under pressure. These grinds look like powder and feel like flour when rubbed between fingers. If the grind is too coarse, the water flows through the coffee too fast, preventing a full-flavored extraction. Be sure to use a quality grinder for uniform consistency.

OPERATING INSTRUCTIONS

FILLING THE WATER RESERVOIR

1. Fill the reservoir with water, you may either use a jar to fill it up or remove it from the unit and then fill it up under the tap. If you have removed it from the unit to fill up with water, please make sure to place it back tightly in its place. Fill the reservoir with the desired amount of water ensuring it ranges within the “MIN” and “MAX” markings on the tank. Never use warm or hot water to fill the water reservoir
2. Close the water reservoir lid and place it back in the unit ensuring it fits tightly

FILLING THE MILK RESERVOIR

If you plan to prepare cappuccino or latte, remove the milk reservoir from the unit and open the lid then pour the quantity of cold milk you estimate you will need between the “Min” and “Max” levels. When done, place the milk reservoir back in the unit ensuring it fits tightly. Note: You can use the type of milk of your preference, i.e. whole milk, low fat milk, organic or soy milk.

CHOOSE THE FILTER

Select the filter to be used as follows:

1. FOR A SINGLE SHOT- use the filter for a single shot of espresso if using ground coffee
2. FOR A DOUBLE SHOT OR TWO SINGLE SHOTS- use filter for a double shot.

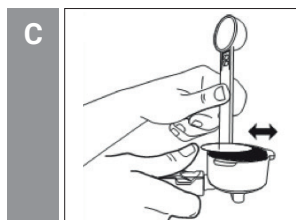
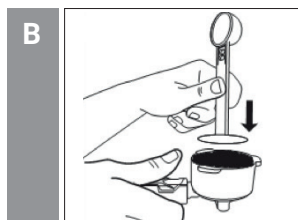
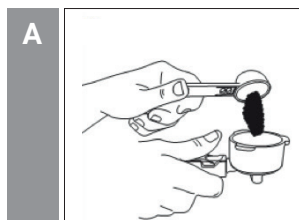


FILLING WITH COFFEE

Place selected filter on porta-filter as follows:

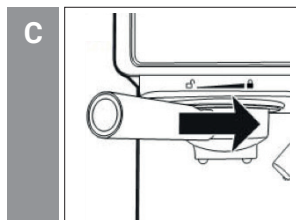
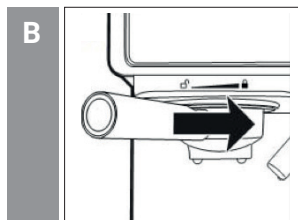
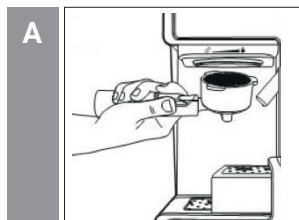
FOR GROUND COFFEE:

1. Fill the filter with fresh, fine ground espresso coffee (do not overfill).
2. Tamp and compress firmly and evenly ground coffee.
3. Clean any excess coffee from the rim to ensure proper fit under brew head.



PLACE THE PORTA-FILTER

1. Position porta-filter underneath the brew head, attach porta-filter by first moving retainer clip back.
2. Position handle so that the handle lines up with the open lock icon " " on the unit and fits into the groove.
3. Then, slowly turn it to the right until the retention clip is aligned with the closed lock symbol " " on the unit.



PLACING THE CUP(S)

1. Pull out the height adjustment tray if you are using a small “demitasse” cup to brew espresso.
2. Keep the height adjustment tray inside its compartment if you are using a larger cup to brew cappuccino.
3. Keep the height adjustment tray inside its compartment if you are using a larger cup to brew latte.

CAUTION: When brewing cappuccino or latte, please make sure to adjust the frothing tube lever in order to position the froth milk dispensing tube inside the cup to be used.

TURNING THE UNIT ON

1. Make sure unit is plugged in.
2. Turn unit on “I”.

The three control panel lights will start blinking during heating and until the water reaches the perfect temperature. Once these lights become solid, the unit is ready to use.

SELECT THE FUNCTION

PREPARING ESPRESSO

1. Press the Espresso Button once to brew one single shot.
2. Press the Espresso Button twice to brew a double shot.
3. Press and hold the Espresso Button for 3 seconds to customize the brewing to your preference. When done, press the Espresso Button once again to stop it.

The unit will start brewing the espresso according to your selection. The unit will turn off automatically and the lights will become solid indicating that the cycle has been completed. Your delicious espresso is ready to be enjoyed.

NOTE: To brew less coffee than the preset serving, press the function button to stop the brewing process when the amount of coffee desired is reached.

PREPARING CAPPUCCINO

Prior to preparing your cappuccino, adjust the quantity of frothed milk according to your preference by turning the Froth Control Knob to the right for more foam and to the left for less foam.

Note The foam intensity can be adjusted during the brewing cycle.

1. Press the Cappuccino Button once to brew a small cup of cappuccino.
2. Press the Cappuccino Button twice to brew a large cup of cappuccino.

The unit will start brewing the cappuccino according to your selection. Your delicious cappuccino is ready to be enjoyed.



PREPARING LATTE

Prior to preparing your latte, adjust the quantity of frothed milk according to your preference by turning the Froth Control Knob to the right for more foam and to the left for less foam.

1. Press the Latte Button once to brew a small cup of latte.
2. Press the Latte Button twice to brew a large cup of latte.

PREPARING FROTH MILK

The unit also allows you to prepare froth milk only. Press and hold the Cappuccino Button for 3 seconds if you wish to add more foam to your beverage or to prepare froth milk for any other beverage, e.g. macchiato, hot chocolate, chai latte, etc. When done, press the Cappuccino Button once again to stop it.

AFTER PREPARING YOUR BEVERAGES WITH MILK

Once you are done preparing your beverage with milk, you can either store the unit's milk reservoir directly in the refrigerator (ready to be used for the next time) or dispose of the leftover milk.

INTRODUCTION

ESPRESSO

A unique method of coffee brewing in which hot water is forced through finely ground coffee. Popular in Europe, it is a far richer and more full-bodied brew than regular drip coffee. Because of its richness, espresso is usually served in 44 to 59 ml (1.5 to 2 oz.) portions, in demitasse cups.

CAPPUCCINO

A drink made with about 1/3 espresso, 1/3 steamed milk, and 1/3 frothed milk.

LATTE

A drink made with about 1/4 espresso and 3/4 steamed milk.

Please read ALL of the instructions, cautions, notes and warnings included in this instruction manual carefully before you begin to use this appliance. When this unit is used, some parts and accessories get hot and need to cool down. Proper care and maintenance will ensure the long life of the Automatic Espresso, Cappuccino, and Latte Maker and its trouble-free operation. Save these instructions and refer to them often for cleaning and care tips.

CORRECT USE OF GROUND COFFEE FOR ESPRESSO MAKER

Do not use sugar roasted ground coffee or sugar roasted coffee beans as these will clog the filter and damage the appliance. If sugar roasted coffee is accidentally used, stop using the unit and bring it to the closest service center for maintenance. We recommend descaling the machine periodically to keep it in good working condition. Contact our service centers to learn about this process.



CLEANING THE MILK RESERVOIR AND FROTHING TUBE

Even though you can store the milk reservoir with left over milk in the refrigerator, it is important to clean the reservoir and frothing tube regularly to avoid clogging and building residues. In order to clean the milk reservoir, please follow the instructions listed below:

1. Remove the milk reservoir from the unit
2. Remove the lid of the reservoir.
3. Pour any milk left and rinse and wash the milk reservoir and its lid thoroughly with warm soapy water. Rinse and dry well. Do not use abrasive cleaners and scouring pads, as they will scratch the finish. The milk reservoir is also dishwasher safe (top rack). Do not place the lid of the milk reservoir on the dishwasher.
4. Place a large empty cup under the frothing tube.
5. Press and hold the Latte/clean button for 3 seconds and then release it. The unit will start releasing steam through the frothing tube, let it run for a few seconds until you don't see any milk in cup. When done press the Latte/ clean button once to stop the process.
6. Dispose any water left on the milk reservoir and place it back in the unit.

CLEANING THE BREW HEAD, THE PORTA-FILTER AND FILTER

1. Switch the power button on the side of the unit to the off position "O" and unplug the power cord from the electrical outlet.
2. Some of the metal parts might still be hot. Do not touch them with your hands until they have cooled.
3. Remove the porta-filter and discard the coffee grounds or used pod. Wash both the porta-filter and filter with warm soapy water and rinse them well. Do not wash the porta-filter and filters in the dishwasher.
4. Wipe lower part of the brew head in the unit with a damp cloth or paper towel to remove any coffee grounds that might have been left.
5. Place the porta-filter (without any filter) back in the brew head in the unit.
6. Place an empty large cup under the porta-filter.
7. Press the espresso button once and let the unit brew with water only until it stops automatically.

CLEANING THE WATER RESERVOIR

Discard the remaining water by removing the reservoir and turning it upside down over the sink. It is recommended to empty the water reservoir between uses. Wash the water reservoir with soapy water, rinse it well and wipe it dry. The water reservoir is also dishwasher safe.

CLEANING THE UNIT

1. Wipe housing with a soft wet cloth. Do not use abrasive cleaners or scouring pads, as they will scratch the finish.
2. Do not store the porta-filter in the brew head. This can adversely affect the seal between the brew head and the porta-filter while brewing espresso.

CAUTION: Do not immerse appliance in water.

DELMING

Mineral deposits built-up in the unit will affect the operation of the appliance. Your appliance must be delimed when you begin to notice an increase in the time required to brew espresso, or when there is excessive steaming. Also, you may notice a build-up of white deposits on the surface of the brew head.

The frequency of cleaning depends upon the hardness of the water used. The following table gives the suggested cleaning intervals.

Type of water	Cleaning Frequency
Soft water (filtered water)	Every 80 brew cycles
Hard water (Tap water)	Every 40 brew cycles

TO DELIME THE WATER RESERVOIR:

1. Fill the reservoir with fresh, undiluted white household vinegar.
2. Allow appliance to sit overnight with the vinegar solution in the water reservoir.
3. Discard vinegar by removing the reservoir and turning it upside down over the sink.
4. Rinse the water reservoir thoroughly with tap water by filling tank half full with water and then pouring the water back out into the sink, repeating this step twice.

TO DELIME INTERNAL PARTS:

1. Make sure you delime the inside of the water reservoir first by following the "Deliming" steps above.
2. Make sure to switch the power button to the "O" position and the power cord is disconnected from the electrical outlet. Fill the reservoir with white vinegar above the minimum level into reservoir.
3. Insert the porta-filter (with filter and no coffee) and place jar/carafe or regular cup on top of the drip tray and under the porta-filter.
4. Plug the power cord into the electrical outlet.
5. Press the power button to switch the unit on "I", once the 3 control panel lights turn solid blue, press the Espresso/Custom Button twice. The vinegar will start flowing through the unit and it will stop automatically.
6. Place a pitcher or large cup (with at least 325 mL/ 11-ounce capacity) under the tube. Fill the milk reservoir with water and place it back on the unit. Turn the Froth control knob clockwise to the clean position " ", then press the latte/clean button for 3 seconds to activate the clean function. Let the unit dispense the water through the tube for approximately 30 seconds and then press the Latte/clean button once to stop the process.
7. Repeat Steps 1 – 7 as necessary using only tap water to rinse any remaining traces of vinegar out of the machine.

PROBLEMS AND CAUSES

EN

PROBLEM	CAUSES	SOLUTIONS
Coffee does not come out.	No water in reservoir.	Add water
	Coffee grind is too fine.	Grind medium ground coffee.
	Too much coffee in the filter.	Fill filter with less coffee.
	Appliance was not turned on or plugged in.	Plug unit into electrical outlet and turn it on.
	Coffee has been tamped/compressed too much.	Refill filter basket with coffee, do not tamp too much.

PROBLEM	CAUSES	SOLUTIONS
Coffee comes out around the edge of the porta-filter.	Porta-filter not rotated to full lock position.	Rotate filter holder to full lock position.
	Coffee grounds around the filter basket rim.	Wipe off rim
	Too much coffee in the filter.	Fill with less coffee.
Milk is not foamy after frothing or it is not coming out of the frothing tube	Ran out of steam	Ensure there is enough water in the reservoir.
	Milk is not cold enough.	Chill milk and frothing pitcher prior to making cappuccino.
	Frothing tube is blocked.	Follow the instructions to clean the milk reservoirs & frothing tube.
Coffee comes out too quickly	Ground coffee is too coarse.	Use a finer grind.
	Not enough coffee in filter.	Use more coffee.
Coffee is too weak.	Using small filter for double shot of espresso	Use large filter for double shot of espresso
	Ground coffee is too coarse.	Add water to reservoir.
The three control panel lights are flashing alternatively	Water tank is out of water	Add water to reservoir.



ENVIRONMENT FRIENDLY DISPOSAL

You can help protect the environment!

Please remember to respect the local regulations: hand in the non-working electrical equipments to an appropriate waste disposal center.

BELANGRIJKE WAARSCHUWINGEN

Houd u bij het gebruik van elektrische apparatuur altijd aan de standaard veiligheidsvoorschriften om brand, elektrische schokken en/of persoonlijk letsel te voorkomen.

1. Lees alle instructies door.
2. Zorg dat het voltage van het stopcontact overeenkomt met het voltage dat is vermeld op het typeplaatje van het apparaat.
3. Dompel het snoer, de stekker en het apparaat niet onder in water of andere vloeistoffen, omdat zich anders brand, elektrische schokken of persoonlijk letsel kunnen voordoen.
4. Houd altijd toezicht als een apparaat wordt gebruikt door of in de nabijheid van kinderen.
5. Haal de stekker uit het stopcontact wanneer u het apparaat niet gebruikt of gaat schoonmaken. Laat het apparaat afkoelen voordat u onderdelen plaatst of verwijdert en voordat u het schoonmaakt.
6. Gebruik het apparaat niet als het snoer of de stekker is beschadigd of als het apparaat niet goed werkt of op andere wijze is beschadigd. Breng het apparaat naar een erkend servicepunt voor onderzoek, reparatie of afstelling.
7. Het gebruik van niet door de fabrikant aanbevolen accessoires kan brand, elektrische schokken of persoonlijk letsel veroorzaken.
8. Om het apparaat uit te schakelen zet u de aan-uitschakelaar in stand 'O'. Vervolgens haalt u de stekker uit het stopcontact.
9. Raak geen hete oppervlakken aan; gebruik de handgrepen en de knoppen.
10. Gebruik het apparaat niet buitenshuis of voor commerciële doeleinden.
11. Laat het snoer niet over de rand van de tafel of het aanrecht hangen of in aanraking komen met een heet oppervlak.
12. Gebruik het apparaat uitsluitend op een harde, gelijkmatige ondergrond, zodat de luchtstroming onder het apparaat niet wordt geblokkeerd.
13. Plaats het waterreservoir met gesloten deksel stevig op het apparaat en vul het tot het minimumniveau of hoger met water voordat u het apparaat inschakelt.
14. Verwijder de filterhouder niet tijdens de koffiebereiding. De drie lampjes

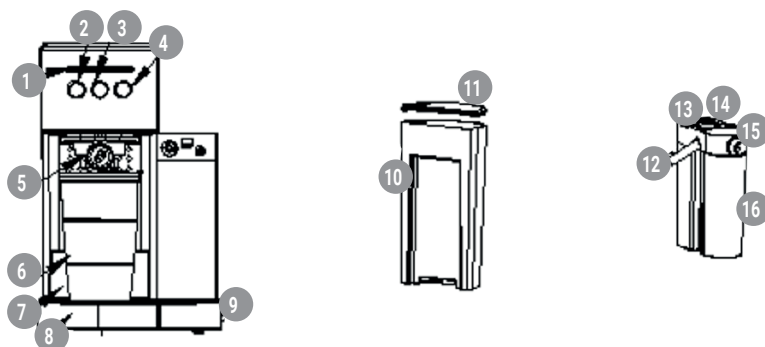
- moeten branden voordat u de filterhouder verwijdert om een volgende kop koffie te bereiden. Houd er bij het verwijderen van de filterhouder rekening mee dat de metalen onderdelen heet zijn. Pak de filterhouder vast bij de handgreep en gebruik de filterklem om het koffiedik te verwijderen. Let op als u het apparaat met hete vloeistoffen verplaatst.
15. Verwijder het waterreservoir niet voordat het apparaat is uitgeschakeld.
 16. Dit apparaat is niet bedoeld voor gebruik in combinatie met een externe timer of aparte afstandsbediening.
 17. Dit apparaat mag worden gebruikt door kinderen van 8 jaar en ouder en door personen met lichamelijke, zintuiglijke of geestelijke beperkingen of met gebrek aan ervaring en kennis, op voorwaarde dat zij worden begeleid of geïnstrueerd over het veilige gebruik van het apparaat en op de hoogte zijn van de risico's ervan. Dit apparaat is geen speelgoed. Reiniging en onderhoud mag worden uitgevoerd door kinderen ouder dan 8 jaar, maar uitsluitend indien er toezicht op hen wordt gehouden.
 18. Houd het apparaat en het snoer buiten bereik van kinderen jonger dan 8 jaar.
 19. Voordat u onderdelen of accessoires verwijdert moeten de drie lampjes branden, moet de aan-uitknop in de stand 'O' staan en moet de stekker uit het stopcontact zijn.
 20. Verwijder de filterhouder niet tijdens de koffiebereiding.
 21. Let op bij het verwijderen van de filterhouder. De metalen onderdelen kunnen nog heet zijn. Ook kan er nog heet water over de bovenkant van het filter lopen. Pak de filterhouder vast bij de handgreep en verwijder het koffiedik met de filterklem.
 22. Als de koffie niet doorloopt is het filter verstopt. Schakel het apparaat uit en laat het afkoelen. De oorzaak van de verstopping kan te fijn gemalen koffie zijn. Raadpleeg het onderdeel 'PROBLEMEN EN OORZAKEN'.
 23. MELKUITLOOP REINIGEN: Zet een grote mok onder de uitloop. Vul het melkreservoir met water en zet het weer op het apparaat. Draai de stoomknop met de klok mee in de stand ' '. Druk vervolgens de knop 'Latte'/'Clean' 3 seconden in en laat hem vervolgens los zodat de reinigingsfunctie wordt geactiveerd. Laat gedurende circa 30 seconden water door de melkuitloop

- lopen en druk daarna nogmaals op de knop 'Latte'/'Clean' om de reinigingsfunctie te beëindigen.
24. Zet het apparaat niet op of in de nabijheid van een heet fornuis of in een verwarmde oven.
 25. Gebruik het apparaat uitsluitend voor het doel waarvoor het is bestemd.
 26. Laat het apparaat niet onbeheerd achter terwijl het aanstaat.
 27. Het apparaat is bedoeld voor gebruik in een woonhuis of vergelijkbare locatie, zoals:
 - de keukenruimte in een winkel, kantoor of andere werkomgeving;
 - agrarische bedrijven;
 - hotel- en motelkamers of andere verblijfsruimten;
 - gastenkamers.
 28. Bewaar deze voorschriften goed.

LET OP: DRUK

Om brandwonden en overig letsel door hete stoom en heet water of om beschadigingen aan het apparaat te voorkomen mag u het waterreservoir of de filterhouder nooit verwijderen terwijl u koffie bereidt of melk opschuimt. De drie lampjes moeten branden voordat u de filterhouder verwijdert om een volgende kop koffie te bereiden. Als u de reservoirs bijvult met water of melk moeten de drie lampjes branden en moet u het apparaat uitschakelen door de rode knop aan de zijkant in stand '0' te zetten.

UW KOFFIEMACHINE LEREN GEBRUIKEN



1	Indicator	9	Aan-uitschakelaar 'I/O'
2	Knop 'Espresso'/'Custom'	10	Afneembaar waterreservoir
3	Knop 'Cappuccino'/'Froth'	11	Deksel waterreservoir
4	Knop 'Latte'/'Clean'	12	Melkuitloop
5	Filterhouder	13	Hendel melkuitloop
6	Meeneembeker	14	Stoomknop
7	In hoogte verstelbare lade	15	Deksel melkreservoir
8	Lekrooster	16	Doorzichtig melkreservoir

VOOR HET EERSTE GEBRUIK

Reinigen en ontluften voordat u het apparaat de eerste keer gebruikt

Raadpleeg het onderdeel waarin het apparaat wordt beschreven zodat u vertrouwd raakt met het apparaat en alle onderdelen kunt herkennen.

1. Het apparaat moet uitgeschakeld zijn: de aan-uitknop aan de zijkant moet in de stand 'O' staan en de stekker moet uit het stopcontact zijn.
2. Verwijder alle stickers en etiketten.
3. Verwijder eerst het waterreservoir, het melkreservoir, de filterhouder, de drie filters en het maatschepje en reinig ze met water en afwasmiddel. Spoel en droog alle onderdelen grondig af en plaats ze weer op het apparaat.

4. Raadpleeg de instructies in het onderdeel 'FILTERHOUDER PLAATSEN' voordat u de filterhouder plaatst of verwijdert.
5. Om de binnenkant van het apparaat te reinigen volgt u de instructies in het onderdeel 'CAPPUCCINO BEREIDEN' met water in beide reservoirs en zonder koffie in het filter. Dompel het apparaat niet onder in water en probeer interne onderdelen niet aan te raken.

OPMERKING: reinig het apparaat na elk gebruik, zodat uw apparaat steeds goed blijft functioneren.

BELANGRIJK: HET APPARAAT VOOR GEBRUIK KLAARMAKEN

Om het apparaat voor gebruik klaar te maken, activeert u de stoomcyclus gedurende 90 seconden aan de hand van onderstaande stappen:

1. Vul het waterreservoir tot halverwege de niveaus 'Min' en 'Max'.
2. Vul het melkreservoir met water tot halverwege de niveaus 'Min' en 'Max'.
3. Neem een van de filters en plaats deze in de filterhouder. Bevestig de filterhouder zodanig op het apparaat dat hij stevig vastzit en plaats er een kop onder. Het uiteinde van de melkuitloop moet zich in de kop bevinden.
4. Steek de stekker in het stopcontact.
5. Zet de aan-uitknop in de stand 'I'.
6. De drie lampjes op het bedieningspaneel beginnen nu te knipperen. Zodra de lampjes ononderbroken gaan branden drukt u twee keer op de knop 'Cappuccino'.
7. Zodra dit proces is voltooid gaan de lampjes op het bedieningspaneel ononderbroken branden.

Het apparaat is nu ontvlucht en klaar voor gebruik.

DE JUISTE KOP KIEZEN

Kies voordat u koffie gaat bereiden het juiste formaat kop aan de hand van de onderstaande tabel:

Verhoudingen		
Espresso	Enkel	60 ml (2oz)
	Dubbel	119 ml (4oz)
Cappuccino	Enkel	178 ml (6oz)
	Dubbel	355 ml (12oz)
Latte	Enkel	296 ml (10oz)
	Dubbel	474 ml (16oz)

DE JUISTE KOFFIE KIEZEN

DE KOFFIE

De koffie moet versgemalen en donker gebrand zijn. Voor espresso kunt u het beste Frans of Italiaans gebrande bonen gebruiken. Gemalen koffie behoudt zijn aroma slechts 7 tot 8 dagen, mits bewaard in een luchtdichte doos op een koele, donkere plaats. Bewaar koffie niet in de koelkast of diepvries. Hele bonen kunt u het beste vlak voor gebruik malen. Als u koffiebonen bewaart in een luchtdichte doos behouden ze hun aroma tot wel 4 weken.

DE MALING

Zelf koffie malen is een essentiële stap in het proces van het bereiden van espresso en die vergt enige oefening. De koffie moet fijn worden gemalen.

De juiste maling moet de structuur hebben van tafelzout.

Als de maling te fijn is, dringt het water er zelfs onder hoge druk niet doorheen. Te fijn gemalen koffie ziet eruit als poeder en voelt aan als meel als u het tussen uw vingers wrijft.

Als de maling te grof is, loopt het water er te snel doorheen, waardoor de koffie niet zijn volle aroma krijgt. Gebruik een goede koffiemolen voor een gelijkmatige consistentie.

GEBRUIKSAANWIJZING

WATERRESERVOIR VULLEN

8. Om het reservoir met water te vullen, kunt u een kan gebruiken of u kunt het reservoir in zijn geheel van het apparaat wegnemen en onder de kraan vullen. Als u het reservoir van het apparaat hebt verwijderd moet u het na het vullen weer stevig bevestigen. Vul het reservoir zodanig met de benodigde hoeveelheid water dat het niveau zich binnen de aanduidingen 'Min' en 'Max' op het reservoir bevindt. Vul het reservoir nooit met warm of heet water.
9. Sluit het deksel en zorg dat het reservoir stevig op het apparaat bevestigd is.

MELKRESERVOIR VULLEN

Wilt u cappuccino of latte bereiden, verwijder dan het melkreservoir van het apparaat, open het deksel en schenk tussen de aanduidingen 'Min' en 'Max' de hoeveelheid koude melk in het reservoir die u ongeveer denkt nodig te hebben. Vervolgens plaatst u het melkreservoir weer op het apparaat, zodanig dat het stevig vastzit.

Opmerking: u kunt elke gewenste soort melk gebruiken, zoals al dan niet biologische volle of magere melk of sojamelk.

FILTER KIEZEN

Kies het filter als volgt:

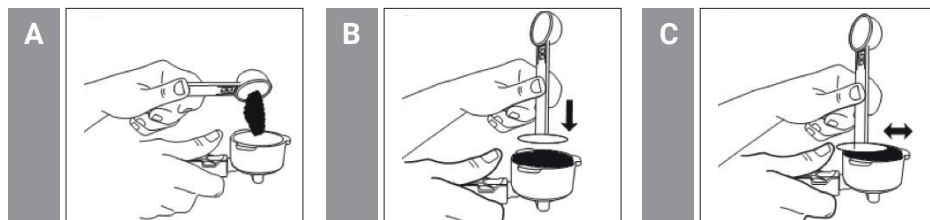
1. VOOR EEN ENKELE ESPRESSO kiest u het kleine filter als u gemalen koffie gebruikt.
2. VOOR EEN DUBBELE ESPRESSO OF TWEE ENKELE gebruikt u het grote filter.

VULLEN MET KOFFIE

Plaats het filter als volgt in de filterhouder:

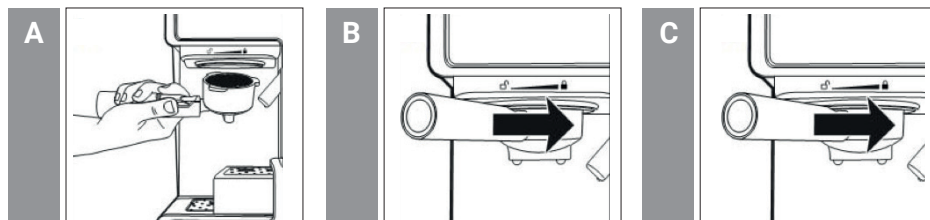
VOOR GEMALEN KOFFIE:

1. Vul het filter met fijngemalen espressokoffie (doe het filter niet te vol).
2. Stamp de gemalen koffie stevig en gelijkmatig aan.
3. Verwijder eventuele koffieresten van de rand, zodat de filterhouder goed onder de broeikop past.



FILTERHOUDER PLAATSEN

1. Plaats de filterhouder onder de broeikop en bevestig de filterhouder door eerst de filterklem naar achteren te bewegen.
2. Plaats de handgreep zodanig dat hij zich ter hoogte van het icoontje van het geopende hangslotje ' ' op het apparaat bevindt en dat hij in de inkeping past.
3. Vervolgens beweegt u de handgreep langzaam naar rechts, totdat de filterklem zich ter hoogte van het icoontje van het gesloten hangslotje ' ' op het apparaat bevindt.





EEN OF TWEE KOPPEN PLAATSEN

1. Trek de in hoogte verstelbare lade voor verschillende maten kopjes uit als u espresso bereidt.
2. Trek de in hoogte verstelbare lade voor verschillende maten kopjes niet uit als u cappuccino bereidt en een grotere kop gebruikt.
3. Trek de in hoogte verstelbare lade voor verschillende maten kopjes niet uit als u latte bereidt en een grotere kop gebruikt.

LET OP: bij de bereiding van cappuccino of latte moet de hendel van de melkuitloop zodanig worden afgesteld dat de melkuitloop zich in de kop bevindt.

APPARAAT INSCHAKELEN

1. Steek de stekker in het stopcontact.
2. Schakel het apparaat in.

De drie lampjes op het bedieningspaneel knipperen tijdens het opwarmen van het water totdat het water de juiste temperatuur heeft bereikt. Zodra de lampjes niet meer knipperen is het apparaat klaar voor gebruik.

FUNCTIE KIEZEN

ESPRESSO BEREIDEN

1. Druk één keer op de knop 'Espresso' voor een enkele espresso.
2. Druk twee keer op de knop 'Espresso' voor een dubbele espresso.
3. Houd de knop 'Espresso' 3 seconden ingedrukt om uw persoonlijke voorkeur in te stellen. Druk als u klaar bent nogmaals op de knop 'Espresso'.

Het apparaat begint met de bereiding van espresso volgens uw persoonlijke voorkeursinstelling. Het apparaat stopt automatisch en de lampjes blijven nu branden om aan te geven dat de cyclus is beëindigd. Uw heerlijke espresso is klaar.

LET OP: als u minder koffie wilt bereiden dan de standaardhoeveelheid, drukt u nogmaals op de knop om het proces te beëindigen zodra de gewenste hoeveelheid koffie is bereikt.

CAPPUCCINO BEREIDEN

Voordat u cappuccino bereidt, past u de hoeveelheid melkschuim aan uw voorkeur aan door de stoomknop naar rechts te draaien voor meer schuim en naar links voor minder schuim.

Let op: de hoeveelheid schuim kan tijdens de bereiding worden aangepast.

1. Druk één keer op de knop 'Cappuccino' voor een kleine cappuccino.
2. Druk twee keer op de knop 'Cappuccino' voor een grote cappuccino.

Het apparaat bereidt cappuccino volgens uw persoonlijke voorkeursinstelling. Uw heerlijke cappuccino is klaar.





LATTE BEREIDEN

Voordat u latte bereidt, past u de hoeveelheid melkschuim aan uw voorkeur aan door de stoomknop naar rechts te draaien voor meer schuim en naar links voor minder schuim.

1. Druk één keer op de knop 'Latte' voor een kleine latte.
2. Druk twee keer op de knop 'Latte' voor een grote latte.

MELK OPSCHUIMEN

U kunt met het apparaat ook alleen melk opschuimen. Houd de knop 'Cappuccino' 3 seconden ingedrukt als u meer schuim in uw koffie wilt of als u schuim wilt maken voor een andere drank, zoals latte macchiato, warme chocolademelk of chai latte. Druk nogmaals op de knop 'Cappuccino' als u klaar bent.

NA DE BEREIDING VAN KOFFIE MET MELK

Als u klaar bent met de bereiding van koffie met melk kunt u het melkreservoir in zijn geheel in de koelkast zetten (klaar voor een volgend gebruik) of de resterende melk weggooien.

INLEIDING

ESPRESSO

Een unieke manier van koffiebereiding waarbij heet water onder druk door fijn gemalen koffie wordt geperst. De koffie is sterker en voller van smaak dan gewone filterkoffie en espresso is dan ook in heel Europa populair. Vanwege zijn sterke aroma wordt espresso doorgaans geserveerd in espressokopjes met een inhoud van 44 to 59 ml.

CAPPUCCINO

Koffiespecialiteit bestaande uit circa 1/3 espresso, 1/3 gestoomde melk en 1/3 melkschuim.

LATTE

Koffiespecialiteit bestaande uit circa 1/4 espresso en 3/4 gestoomde melk.

Lees ALLE instructies, waarschuwingen en opmerkingen in deze gebruikershandleiding zorgvuldig door voordat u dit apparaat gebruikt. Door het gebruik kunnen sommige onderdelen en accessoires heet worden, zodat ze eerst moeten afkoelen. Als u het apparaat op de juiste manier gebruikt en onderhoudt, zijn een lange levensduur en een probleemloze werking gegarandeerd. Bewaar deze instructies en raadpleeg ze regelmatig voor tips op het gebied van reiniging en onderhoud.



ZO GEBRUIKT U GEMALEN KOFFIE IN EEN ESPRESSOMACHINE

Gebruik geen met suiker gebrande gemalen koffie of met suiker gebrande koffiebonen; hierdoor raakt het filter verstopt met schade aan het apparaat als gevolg. Hebt u per ongeluk toch met suiker gebrande koffie gebruikt, gebruik het apparaat dan niet meer en breng het voor onderhoud naar het dichtstbijzijnde onderhoudsbedrijf. Wij raden aan om het apparaat regelmatig te ontkalken voor een optimale werking. Neem voor meer informatie hierover contact op met onze klantenservice.

MELKRESERVOIR EN MELKUITLOOP REINIGEN

U kunt het melkreservoir met overgebleven melk in de koelkast bewaren. Let op: maak het reservoir en de melkuitloop wel regelmatig schoon om verstopping en aanslag te voorkomen. Volg onderstaande instructies voor het reinigen van het melkreservoir:

1. Verwijder het melkreservoir van het apparaat.
2. Verwijder het deksel van het reservoir.
3. Giet eventueel overgebleven melk eruit en reinig het reservoir en het deksel grondig met warm water en afwasmiddel. Spoel en droog het reservoir en deksel goed af. Gebruik geen schuurmiddelen of schuursponsjes, omdat dat krassen veroorzaakt. Het melkreservoir is ook geschikt voor de vaatwasser (bovenste rek). Het deksel van het melkreservoir is niet geschikt voor de vaatwasser.
4. Zet een grote lege kop onder de melkuitloop.
5. Houd de knop 'Latte'/'Clean' 3 seconden ingedrukt en laat hem daarna los. Het apparaat geeft nu stoom af via de melkuitloop. Laat het water een paar seconden doorlopen totdat u geen melk meer in de kop ziet. Als u klaar bent drukt u nogmaals op de knop 'Latte'/'Clean' om het proces te beëindigen.
6. Giet eventueel achtergebleven water weg en plaats het melkreservoir weer op het apparaat.

BROEIKOP, FILTERHOUDER EN FILTER REINIGEN

1. Schakel het apparaat uit door de aan-uitknop aan de zijkant in stand 'O' te zetten en de stekker uit het stopcontact te halen.
2. Sommige metalen onderdelen kunnen nog heet zijn. Raak ze niet aan met uw handen voordat ze zijn afgekoeld.
3. Verwijder de filterhouder en gooi het koffiedik of de gebruikte portieverpakking weg. Was de filterhouder en het filter af in warm water met afwasmiddel en spoel ze vervolgens goed schoon. De filterhouder en de filters zijn niet geschikt voor de vaatwasser.
4. Verwijder eventueel achtergebleven koffieresten van de onderkant van de broeikop met een vochtige doek of keukenpapier.
5. Bevestig de filterhouder (zonder filter) weer op de broeikop van het apparaat.
6. Plaats een grote lege kop onder de filterhouder.
7. Druk één keer op de knop 'Espresso' en laat het apparaat lopen met alleen water totdat het vanzelf weer wordt uitgeschakeld.

WATERRESERVOIR REINIGEN

Giet het overgebleven water weg door het reservoir van het apparaat te verwijderen en om te keren boven de gootsteen. Wij raden aan om het waterreservoir na elk gebruik leeg te gieten. Was het waterreservoir af met water en afwasmiddel en spoel en droog het goed af. Het waterreservoir is ook geschikt voor de vaatwasser.

APPARAAT REINIGEN

1. Veeg de buitenkant van het apparaat schoon met een zachte natte doek. Gebruik geen schuurmiddelen of schuursponsjes, omdat dat krassen veroorzaakt.
2. Laat de filterhouder niet op de broeikop zitten. Hierdoor kan de afdichting tussen de broeikop en de filterhouder beschadigen als u espresso bereidt.

LET OP: dompel het apparaat niet onder in water.

ONTKALKEN

De ophoping van minerale afzettingen in het apparaat beïnvloedt de juiste werking ervan. Het apparaat moet worden ontkalkt als u merkt dat het langer duurt om espresso te bereiden, of als het apparaat een overmatige hoeveelheid stoom produceert. Ook op het oppervlak van de broeikop kunt u witte afzetting waarnemen. De regelmaat waarmee u het apparaat moet schoonmaken hangt af van de hardheid van het water dat u gebruikt. Onderstaande tabel geeft een overzicht van de aanbevolen reinigingsfrequentie.

Soort water	Reinigingsfrequentie
Zacht water (gefilterd water)	Elke 80 bereidingen
Hard water (leidingwater)	Elke 40 bereidingen

WATERRESERVOIR ONTKALKEN:

1. Vul het waterreservoir met schone, onverdunde witte azijn.
2. Laat het waterreservoir zo een nacht weken.
3. Giet de overgebleven azijn weg door het reservoir van het apparaat te verwijderen en om te keren boven de gootsteen.
4. Spoel het waterreservoir grondig schoon onder de kraan door het reservoir voor de helft te vullen met water. Giet het water in de gootsteen en herhaal deze procedure twee keer.

INTERNE ONDERDELEN ONTKALKEN:

1. Ontkalk eerst de binnenzijde van het waterreservoir door de procedure bij het onderdeel 'Ontkalken' hierboven te volgen.
2. Zet de aan-uitknop in stand '0' en haal de stekker uit het stopcontact. Vul het reservoir tot boven de minimumaanduiding met azijn.
3. Bevestig de filterhouder (met filter, zonder koffie) en zet een kan of een grote mok onder de filterhouder op het lekrooster.
4. Steek de stekker in het stopcontact.

5. Zodra de drie lampjes op het bedieningspaneel ononderbroken blauw zijn gaan branden, zet u de aan-uitknop in stand 'I' en drukt u twee keer op de knop 'Espresso'/'-Custom'. De azijn loopt nu door het apparaat; dit proces stopt vanzelf.
6. Plaats een kan of een grote mok (van minimaal 325 ml) onder de uitloop. Vul het melkreservoir met water en zet het weer op het apparaat. Draai de stoomknop met de klok mee in de stand ' '. Druk vervolgens de knop 'Latte'/'Clean' 3 seconden in zodat de reinigingsfunctie wordt geactiveerd. Laat gedurende circa 30 seconden water door de melkuitloop lopen en druk daarna nogmaals op de knop 'Latte'/'Clean' om de reinigingsfunctie te beëindigen.
7. Herhaal indien nodig de stappen 1-7 met alleen kraanwater om eventueel achterbleven resten azijn uit het apparaat te spoelen.

PROBLEMEN EN OORZAKEN

PROBLEEM	OORZAAK	OPLOSSING
De koffie loopt niet door.	Geen water in het reservoir.	Voeg water toe.
	De koffie is te fijn gemalen.	Maal de koffie minder fijn.
	Te veel koffie in het filter.	Doe minder koffie in het filter.
	Het apparaat is niet ingeschakeld of de stekker zit niet in het stopcontact.	Steek de stekker in het stopcontact en schakel het apparaat in.
	De koffie is te hard aange-stampt/samengedrukt.	Vul het filterbakje opnieuw met koffie en stamp die niet te hard aan.



PROBLEEM	OORZAAK	OPLOSSING
De koffie loopt langs de randen van de filterhouder uit het apparaat.	De filterhouder is niet volledig in de vergrendelde positie gedraaid.	Draai de filterhouder volledig in de vergrendelde positie.
	Gemalen koffie rond de rand van het filterbakje.	Veeg de rand schoon.
	Te veel koffie in het filter.	Doe minder koffie in het filter.
De melk schuimt niet of komt niet uit de melkuitloop.	Geen stoomproductie	Zorg dat het reservoir voldoende gevuld is met water.
	De melk is niet koud genoeg.	Zorg dat de melk en het melkreservoir koud zijn voordat u cappuccino bereidt.
	De melkuitloop is verstopt.	Volg de instructies voor het reinigen van het melkreservoir en de melkuitloop.
De koffie loopt te snel door.	De koffie is te grof gemalen.	Gebruik een fijnere maling.
	Te weinig koffie in het filter.	Gebruik meer koffie.
De koffie is te slap.	Gebruik het kleine filter voor een enkele espresso.	Gebruik het grote filter voor een dubbele espresso.
	De koffie is te grof gemalen.	Gebruik een fijnere maling.
De drie lampjes op het bedieningspaneel knipperen afwisselend.	Het waterreservoir is leeg.	AVul het reservoir bij.



MILIEUVRIENDELIJK AFVOEREN

U kunt helpen het milieu te beschermen!

Houd u aan de plaatselijke richtlijnen voor afvalinzameling. Lever oude elektrische apparatuur in op de daarvoor bestemde inzamelingslocatie.



PRÉCAUTIONS IMPORTANTES

Lors de l'utilisation d'appareils électriques, il convient de toujours respecter des précautions de base pour réduire le risque d'incendie, de choc électrique, de blessures corporelles, notamment :

1. Lisez toutes les instructions.
2. Assurez-vous que la tension électrique de votre réseau correspond à celle figurant sur la fiche signalétique de l'appareil.
3. Pour vous protéger des incendies, des chocs électriques et des blessures, n'immergez pas l'appareil, le cordon ou la prise dans l'eau ou dans tout autre liquide.
4. Une surveillance étroite est nécessaire lorsque l'appareil est utilisé par ou à proximité d'enfants.
5. Débranchez la prise lorsque l'appareil n'est pas utilisé et avant le nettoyage. Laissez-le refroidir avant de retirer ou de remettre des pièces et avant de le nettoyer.
6. De façon générale, n'utilisez pas d'appareil dont le cordon d'alimentation est endommagé ou ne fonctionnant pas correctement, s'il est tombé ou a été endommagé d'une quelconque manière. Renvoyez l'appareil au service après-vente autorisé pour inspection, réglage ou réparation.
7. L'utilisation d'accessoires autres que ceux recommandés par le fabricant peut être à l'origine d'un incendie, d'un choc électrique ou blesser des personnes.
8. Pour le débrancher, mettez toutes les commandes en position « Off » puis retirez la prise.
9. Ne touchez pas les surfaces chaudes, utilisez les poignées.
10. Ne pas utiliser l'appareil à l'extérieur ou à des fins commerciales.
11. Ne laissez pas le fil pendre du bord d'une table ou d'un comptoir ou bien entrer en contact avec des surfaces chaudes.
12. Utilisez uniquement sur une surface dure, plane et homogène afin de ne pas interrompre la circulation de l'air sous l'appareil.
13. Veillez à toujours bien replacer le réservoir d'eau dans l'appareil avec son couvercle. Remplissez-le d'eau au niveau de ou au-dessus de la ligne

- minimale avant d'allumer l'appareil.
14. Ne retirez pas le porte-filtre lorsque vous préparez du café. Assurez-vous que les trois voyants sont allumés avant de retirer le porte-filtre pour préparer davantage de café. Prenez également vos précautions en retirant le porte-filtre car les pièces en métal seront chaudes. Veillez à le tenir par la poignée et à utiliser le clip de maintien du filtre pour jeter le marc. Prenez vos précautions lorsque vous déplacez l'appareil avec des liquides chauds.
 15. Ne retirez pas le réservoir d'eau avant que l'appareil soit éteint.
 16. Cet appareil n'est pas conçu pour être utilisé avec un minuteur externe ou une télécommande séparée.
 17. Cet appareil peut être utilisé par des enfants à partir de 8 ans et des personnes aux capacités physiques, sensorielles ou mentales réduites, ou n'ayant pas suffisamment d'expérience ou de connaissances, si elles sont surveillées ou ont été instruites du mode d'emploi de l'appareil par une personne responsable et si elles ont compris les dangers encourus. Les enfants ne doivent pas jouer avec l'appareil. Le nettoyage et l'entretien ne doivent pas être réalisés par des enfants de moins de 8 ans et sans surveillance.
 18. Tenez cet appareil et son cordon d'alimentation hors de portée des enfants de moins de 8 ans.
 19. Avant de retirer toutes les pièces et accessoires, assurez-vous que les trois voyants sont allumés, réglez le bouton marche en position « 0 » et débranchez l'appareil.
 20. Ne retirez pas le porte-filtre à tout moment durant la préparation.
 21. Prenez vos précautions lors du retrait du porte-filtre. Les pièces en métal peuvent être très chaudes. Il est également possible que de l'eau chaude flotte sur le dessus du filtre. Tenez-le uniquement par sa poignée et jetez le marc en utilisant le clip de maintien du filtre.
 22. Si le café ne coule pas, le filtre est bloqué. Éteignez l'appareil et laissez-le refroidir. Le blocage peut être causé par un café moulu trop finement. Consultez la section « PROBLÈMES ET CAUSES ».
 23. **LORS DU NETTOYAGE DU TUBE À MOUSSE DE LAIT :** Placez une grande

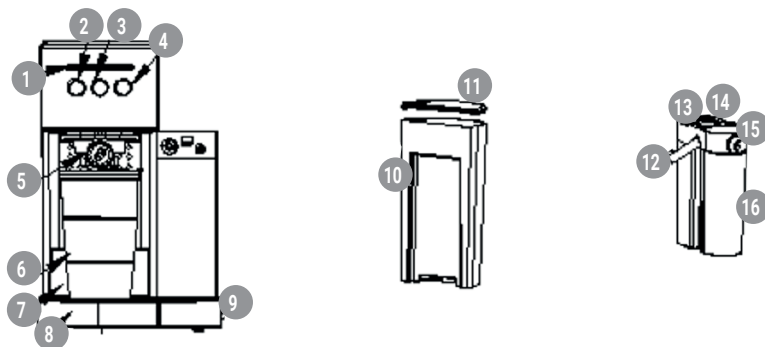
tasse sous le tube. Remplissez le réservoir à lait avec de l'eau et replacez-le sur l'appareil. Tournez la poignée de contrôle de la mousse dans le sens horaire en position nettoyage « » puis appuyez sur le bouton « Latte » / « Nettoyage » pendant 3 secondes et lâchez-le pour activer la fonction nettoyage. Laissez l'appareil fournir l'eau via le tube pendant environ 30 secondes puis appuyez une fois sur le bouton « Latte » / « Nettoyage » pour interrompre le processus.

24. Ne placez pas l'appareil sur ou à proximité de gaz chaud ou d'un brûleur électrique, ou dans un four chauffé.
25. N'utilisez pas l'appareil à des fins autres que celles prévues.
26. Ne laissez pas l'appareil fonctionner sans surveillance.
27. Cet appareil est destiné à une utilisation intérieure dans des situations telles que :
 - Cantines de magasins, de bureaux et autres lieux de travail ;
 - Fermes ;
 - Pour les clients d'hôtel, de motel, ou autre type de résidence temporaire ;
 - Environnements de type Bed & Breakfast.
28. Conserver le présent mode d'emploi.

ATTENTION : PRESSION

Afin d'éviter les risques de brûlures sur les parties du corps et/ou d'autres blessures causées par les vapeurs et l'eau chaude, ou de dommages à l'appareil, ne retirez jamais le réservoir d'eau ou le porte-filtre lorsque l'appareil prépare du café ou de la mousse. Assurez-vous que les trois voyants sont allumés avant de retirer le porte-filtre pour préparer davantage de café. Si vous devez ajouter davantage d'eau ou de lait aux réservoirs, assurez-vous que les trois voyants sont allumés et veillez à éteindre l'appareil en appuyant sur le bouton rouge situé sur le côté de l'appareil pour le régler en position « 0 ».

DÉCOUVREZ VOTRE MACHINE À CAFÉ



1	Indicateur	9	Bouton marche « I/O »
2	Bouton « Espresso »	10	Réservoir d'eau amovible
3	Bouton « Cappuccino »	11	Couvercle du réservoir d'eau
4	Bouton « Latte »	12	Tube à mousse de lait
5	Porte-filtre	13	Levier du tube à mousse
6	Mug de voyage	14	Poignée de la mousse
7	Tiroir de réglage	15	Couvercle du réservoir de lait
8	Plateau anti-gouttes	16	Réservoir de lait transparent

AVANT LA PREMIÈRE UTILISATION

Nettoyer et préparer l'appareil avant la première utilisation.

Reportez-vous à la section avec la description de l'appareil pour vous familiariser avec le produit et identifier toutes les pièces.

1. Assurez-vous que l'appareil est en position « 0 » en appuyant sur le bouton marche situé sur le côté de l'appareil. Assurez-vous que l'appareil est débranché de la prise électrique.
2. Retirez les autocollants et les étiquettes de l'appareil.
3. Commencez par retirer et nettoyer le réservoir d'eau, le réservoir de lait, le porte-filtre, les trois filtres et l'ustensile de mesure dans un mélange d'eau et de détergent doux. Rincez chaque pièce correctement et replacez-les dans l'appareil.

4. Reportez-vous aux instructions de la section « INSTALLER LE PORTE-FILTRE » avant de placer ou de retirer le porte-filtre et le filtre de l'appareil.
5. Pour nettoyer l'intérieur de l'appareil, suivez les instructions de la section « PRÉPARER UN CAPPUCCINO » en utilisant de l'eau dans les deux réservoirs et non du café dans le filtre. N'immergez pas l'appareil dans l'eau et n'essayez pas d'atteindre ses pièces internes.

REMARQUE : Pour que votre appareil fonctionne correctement à chaque fois, nettoyez-le après chaque utilisation.

IMPORTANT – PRÉPARER L'APPAREIL

Pour préparer l'appareil, lancez le cycle vapeur pendant 90 secondes en suivant les étapes suivantes :

1. Remplissez le réservoir d'eau entre les niveaux « Min » et « Max ».
2. Remplissez le réservoir de lait avec de l'eau entre les niveaux « Min » et « Max ».
3. Sélectionnez l'un des filtres et placez-le sur le porte-filtre. Placez le porte-filtre dans l'appareil en vous assurant qu'il est correctement installé et placez une tasse en-dessous. Assurez-vous également que l'embout du tube à mousse de lait se trouve à l'intérieur de la tasse.
4. Branchez l'appareil dans la prise appropriée.
5. Réglez le bouton marche sur « I ».
6. Les trois voyants de commande commenceront à clignoter. Lorsque ceux-ci ne clignotent plus, appuyez deux fois sur le bouton « Cappuccino ».
7. Une fois ce processus terminé, les trois voyants de commande ne clignoteront plus.

Votre appareil est désormais prêt à être utilisé.

CHOISIR LA BONNE TASSE

Avant de préparer votre boisson, veillez à sélectionner la bonne taille de tasse selon le tableau suivant :

CHOISIR LE BON CAFÉ

Caffé Barista Ratios		
Espresso	Simple Double	60 ml (2oz) 119 ml (4oz)
Cappuccino	Simple Double	178 ml (6oz) 355 ml (12oz)
Latte	Simple Double	296 ml (10oz) 474 ml (16oz)

LE CAFÉ

Le café doit être fraîchement moulu et torréfié. Nous vous conseillons un café français ou italien pour l'espresso. Le café pré-moulu ne conservera sa saveur que pendant 7 à 8 jours, à condition d'être conservé dans un récipient hermétique dans un endroit sombre et frais. Ne pas ranger dans le réfrigérateur ou le congélateur. Nous vous conseillons de moudre les grains entiers juste avant utilisation. Les grains de café conservés dans un récipient hermétique conserveront leur saveur jusqu'à 4 semaines.

MOUDRE LE CAFÉ

Il s'agit d'une étape essentielle dans la préparation de l'espresso si vous moulez votre propre café. Elle nécessite de la pratique. Le café doit être finement moulu. La bonne moulure doit être semblable à du sel. Si la moulure est trop fine, l'eau ne coulera pas à travers le café, malgré la pression. Cette moulure ressemble à de la poudre et a une texture de farine entre les doigts. Si la moulure est trop grossière, l'eau coulera trop vite à travers le café et empêchera une bonne extraction des arômes. Veillez à utiliser un moulin de qualité pour obtenir une texture homogène.

INSTRUCTIONS D'UTILISATION

REPLISSAGE DU RÉSERVOIR D'EAU

1. Remplissez le réservoir d'eau, vous pouvez utiliser un pichet pour le remplir ou le détacher de l'unité et le remplir sous le robinet. Si vous l'avez retiré de l'appareil pour le remplir d'eau, veillez à le réinstaller correctement. Remplissez le réservoir avec la quantité d'eau souhaitée en veillant à ce qu'elle soit placée entre les marquages « Min » et « Max » du réservoir. N'utilisez jamais de l'eau chaude pour remplir le réservoir d'eau.
2. Fermez le couvercle du réservoir d'eau et replacez-le correctement dans l'appareil.

REPLISSAGE DU RÉSERVOIR DE LAIT

Si vous prévoyez de préparer un cappuccino ou un latte, retirez le réservoir de lait de l'unité. Ouvrez le couvercle puis versez la quantité de lait froid souhaitée entre les niveaux « Min. » et « Max. ». Ensuite, replacez correctement le réservoir de lait dans l'appareil.

Remarque : Vous pouvez utiliser le type de lait de votre préférence, par ex. lait entier, lait faible en matières grasses, lait bio ou lait de soja.

CHOISIR LE FILTRE

Sélectionnez le filtre à utiliser comme suit :

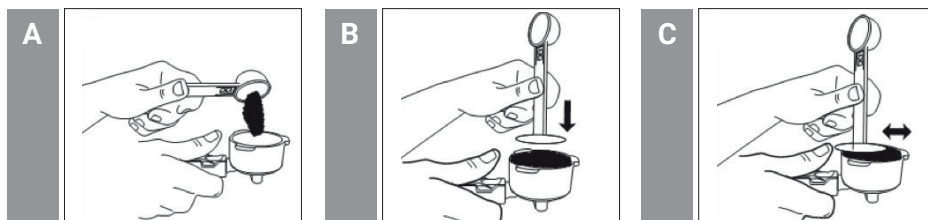
1. POUR UN ESPRESSO SIMPLE – utilisez le filtre pour un espresso simple si vous utilisez du café moulu
2. POUR UN ESPRESSO DOUBLE OU DEUX ESPRESSOS SIMPLES – utilisez un filtre pour un espresso double.

REMPILIR DE CAFÉ

Placez le filtre sélectionné sur le porte-filtre comme suit :

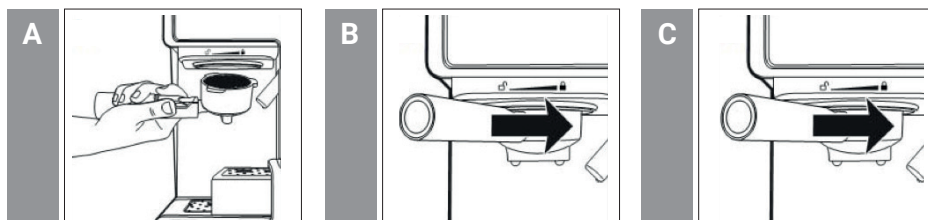
POUR LE CAFÉ MOULU :

1. Remplissez le filtre de café frais finement moulu (ne pas trop remplir).
2. Tassez le café moulu fermement et uniformément.
3. Nettoyez l'excédent de café du bord pour pouvoir le placer correctement sous la tête d'infusion.



INSTALLER LE PORTE-FILTRE

1. Placez le porte-filtre sous la tête d'infusion, attachez le porte-filtre en reculant le clip de maintien.
2. Placez la poignée de sorte que la poignée s'aligne avec le symbole déverrouillé « » de l'unité et avec la rainure.
3. Ensuite, tournez-la vers la droite jusqu'à ce que le clip de maintien soit aligné avec le symbole verrouillé « » sur l'appareil.



PLACER LES TASSES

1. Retirez le plateau de réglage de la hauteur si vous utilisez une « demi tasse » pour préparer un espresso.
2. Laissez le plateau de réglage de la hauteur à l'intérieur de son compartiment si vous utilisez une tasse plus grande pour préparer un cappuccino.
3. Laissez le plateau de réglage de la hauteur à l'intérieur de son compartiment si vous utilisez une tasse plus grande pour préparer un latte.

ATTENTION : Lorsque vous préparez un cappuccino ou un latte, veillez à ajuster le levier du tube à mousse afin de placer le tube à mousse de lait à l'intérieur de la tasse à utiliser.

ALLUMER L'APPAREIL

1. Assurez-vous que l'appareil est branché.
2. Réglez l'appareil sur « I ».

Les trois voyants de commande commenceront à clignoter durant le chauffage et jusqu'à ce que l'eau atteigne la température idéale. Lorsque ces voyants arrêtent de clignoter, l'appareil est prêt à être utilisé.

SÉLECTIONNER LE PROGRAMME

PRÉPARER UN ESPRESSO

1. Appuyez une fois sur le bouton « Espresso » pour préparer un espresso simple.
2. Appuyez deux fois sur le bouton « Espresso » pour préparer un espresso double.
3. Restez appuyé sur le bouton « Espresso » pendant 3 secondes pour personnaliser votre préparation. Ensuite, appuyez de nouveau sur le bouton « Espresso » pour l'arrêter.

L'appareil commencera à préparer l'espresso selon votre sélection. L'appareil s'éteindra automatiquement et les voyants s'arrêteront de clignoter, ce qui indique que le cycle est terminé. Vous pouvez désormais déguster votre délicieux espresso. REMARQUE : Pour préparer une quantité de café inférieure à celle prédéfinie, appuyez sur le bouton fonction pour interrompre la préparation lorsque vous avez atteint la quantité de café souhaitée.

PRÉPARER UN CAPPUCCINO

Avant de préparer votre cappuccino, réglez la quantité de mousse de lait selon votre préférence en tournant la poignée de contrôle de mousse vers la droite pour obtenir plus de mousse et vers la gauche pour moins de mousse.

Remarque : l'intensité de la mousse peut être réglée durant le cycle de préparation.

Note The foam intensity can be adjusted during the brewing cycle.

1. Appuyez une fois sur le bouton « Cappuccino » pour préparer une petite tasse de cappuccino.
2. Appuyez deux fois sur le bouton « Cappuccino » pour préparer une grande tasse de cappuccino.

L'appareil commencera à préparer le cappuccino selon votre sélection. Vous pouvez désormais déguster votre délicieux cappuccino.



PRÉPARER UN LATTE

Avant de préparer votre latte, réglez la quantité de mousse de lait selon votre préférence en tournant la poignée de contrôle de mousse vers la droite pour obtenir plus de mousse et vers la gauche pour moins de mousse.

1. Appuyez une fois sur le bouton « Latte » pour préparer une petite tasse de latte.
2. Appuyez deux fois sur le bouton « Latte » pour préparer une grande tasse de latte.

PRÉPARER LA MOUSSE DE LAIT

L'appareil vous permet également de préparer uniquement de la mousse de lait. Restez appuyé sur le bouton « Cappuccino » pendant 3 secondes si vous souhaitez ajouter davantage de mousse de lait à votre boisson ou afin de préparer de la mousse de lait pour une autre boisson, par ex. macchiato, chocolat chaud, chai latte, etc. Ensuite, appuyez de nouveau sur le bouton « Cappuccino » pour l'arrêter.

APRÈS LA PRÉPARATION DE VOS BOISSONS AU LAIT

Lorsque vous avez fini de préparer vos boissons au lait, vous pouvez ranger le réservoir de lait directement dans le réfrigérateur (afin de l'utiliser ultérieurement) ou jeter le lait restant.

PRÉSENTATION

ESPRESSO

Une méthode unique de préparation du café dans laquelle l'eau chaude passe à travers un café finement moulu. Populaire en Europe, ce café est bien plus riche et corsé que le café filtre classique. En raison de sa richesse, l'espresso est généralement servi dans des portions de 44 à 59 ml, dans des demi-tasses.

CAPPUCCINO

Une boisson réalisée avec 1/3 espresso, 1/3 lait chaud et 1/3 mousse de lait.

LATTE

Une boisson réalisée avec 1/4 espresso et 3/4 mousse de lait.

Veuillez lire l'ENSEMBLE des instructions, avertissements et remarques comprises dans ce mode d'emploi avant de commencer l'utilisation. Lorsque cet appareil est usagé, certaines pièces et certains accessoires chauffent et doivent refroidir. Un bon entretien assurera une longue vie et un fonctionnement sans problème à votre machine à espresso, cappuccino et latte. Conservez ces instructions et consultez-les souvent pour obtenir des astuces de nettoyage et d'entretien.

BIEN UTILISER LE CAFÉ MOULU POUR LES MACHINES À ESPRESSO

N'utilisez pas de café moulu sucré ou de grains de café sucré car ils boucheront le filtre et endommageront l'appareil. Si vous utilisez accidentellement du café sucré, arrêtez l'utilisation de l'appareil et emmenez-le au centre de service le plus proche. Nous vous recommandons de détartrer l'appareil de façon périodique pour le maintenir en bon état. Contactez nos centres de service pour en savoir plus sur ce procédé.





NETTOYER LE RÉSERVOIR DE LAIT ET LE TUBE À MOUSSE

Même si vous pouvez conserver le réservoir avec le lait restant dans le réfrigérateur, il est important de nettoyer le réservoir et le tube à mousse régulièrement afin d'éviter l'accumulation de résidus et les bouchages. Afin de nettoyer le réservoir de lait, veuillez suivre les instructions ci-dessous :

1. Retirez le réservoir de lait de l'appareil.
2. Retirez le couvercle du réservoir.
3. Versez le restant de lait, rincez et nettoyez le réservoir de lait et son couvercle à l'eau chaude savonneuse. Rincez et séchez correctement. N'utilisez pas de nettoyeurs et de tampons abrasifs qui causeront des égratignures. Le réservoir de lait est également compatible lave-vaisselle (panier supérieur). Ne placez pas le couvercle du réservoir de lait dans le lave-vaisselle.
4. Placez une grande tasse vide sous le tube à mousse.
5. Restez appuyé sur le bouton « Latte » / « Nettoyage » pendant 3 secondes puis relâchez. Le tube à mousse commencera à émettre de la vapeur, laissez agir pendant quelques secondes, jusqu'à ce que vous ne voyiez plus de lait dans la tasse. Une fois le nettoyage terminé, appuyez une fois sur le bouton « Latte » / « Nettoyage » pour interrompre le processus.
6. Versez l'eau restante dans le réservoir de lait et replacez-le dans l'appareil.

NETTOYER LA TÊTE D'INFUSION, LE PORTE-FILTRE ET LE FILTRE

1. Mettez le bouton marche situé sur le côté de l'appareil en position « 0 » et débranchez le câble d'alimentation de la prise.
2. Certaines des pièces en métal peuvent être encore chaudes. Ne les touchez pas avec vos mains jusqu'à ce qu'elles aient refroidi.
3. Retirez le porte-filtre et jetez le marc de café ou la capsule usagée. Lavez le porte-filtre et le filtre à l'eau chaude savonneuse et rincez-les correctement. Ne lavez pas le porte-filtre et les filtres au lave-vaisselle.
4. Nettoyez la partie inférieure de la tête d'infusion avec un chiffon ou une serviette en papier humide pour retirer les résidus de café.
5. Replacez le porte-filtre (sans filtre) dans la tête d'infusion.
6. Placez une grande tasse vide sous le porte-filtre.
7. Appuyez une fois sur le bouton « Espresso » et laissez l'appareil chauffer l'eau jusqu'à ce qu'il s'arrête automatiquement.

NETTOYER LE RÉSERVOIR D'EAU

Jetez le reste d'eau en retirant le réservoir et en le retournant au-dessus de l'évier. Il est recommandé de vider le réservoir d'eau entre chaque utilisation. Lavez le réservoir d'eau à l'eau savonneuse, rincez correctement et séchez à l'aide d'un chiffon. Le réservoir d'eau est également compatible lave-vaisselle.

NETTOYER L'APPAREIL

1. Nettoyez le boîtier à l'aide d'un chiffon doux mouillé. N'utilisez pas de nettoyeurs et de tampons abrasifs qui causeront des égratignures.
2. Ne rangez pas le porte-filtre dans la tête d'infusion. Cela peut impacter le joint situé entre la tête d'infusion et le porte-filtre durant la préparation d'espresso.

ATTENTION : N'immergez pas l'appareil dans l'eau.



DÉTARTRAGE

Les dépôts minéraux s'accumulant dans l'appareil impacteront son fonctionnement. Votre appareil doit être détartré lorsque vous commencez à remarquer que la préparation d'espresso prend plus de temps, ou en cas d'excès de vapeur. De plus, vous remarquerez peut-être l'accumulation de dépôts blancs sur la surface de la tête d'infusion.

La fréquence de nettoyage dépend de la dureté de l'eau utilisée. Le tableau suivant vous propose des suggestions d'intervalles de nettoyage.

POUR DÉTARTRE LE RÉSERVOIR D'EAU :

1. Remplissez le réservoir de vinaigre blanc ménager non dilué.
2. Laissez agir pendant la nuit.
3. Jetez le vinaigre en retirant le réservoir et en le retournant au-dessus de l'évier.
4. Rincez bien le réservoir d'eau en le remplissant à moitié d'eau du robinet puis versez l'eau dans l'évier. Répétez deux fois.

POUR DÉTARTRE LES PIÈCES INTERNES :

1. Veillez à détartrer l'intérieur du réservoir d'eau en suivant les instructions de détartrage ci-dessus.
2. Veillez à bien régler le bouton marche sur « 0 » et assurez-vous que le câble d'alimentation est débranché de la prise électrique. Remplissez le réservoir de vinaigre blanc au-dessus du niveau minimal du réservoir.
3. Insérez le porte-filtre (avec filtre et sans café) et placez une carafe ou une tasse normale sur le plateau et sous le porte-filtre.
4. Branchez le câble d'alimentation à une prise électrique.
5. Appuyez sur le bouton marche pour régler l'appareil sur « 1 ». Une fois les trois voyants de commande s'allument en bleu et s'arrêtent de clignoter, appuyez deux fois sur le bouton « Espresso » / « Personnaliser ». Le vinaigre commencera à passer dans l'appareil qui s'arrêtera automatiquement.
6. Placez un pichet ou une grande tasse (d'une capacité d'au moins 325 ml) sous le tube. Remplissez le réservoir à lait avec de l'eau et remplacez-le sur l'appareil. Tournez la poignée de contrôle de la mousse dans le sens horaire en position nettoyage « » puis appuyez sur le bouton « Latte » / « Nettoyage » pendant 3 secondes pour activer la fonction nettoyage. Laissez l'appareil fournir l'eau via le tube pendant environ 30 secondes puis appuyez une fois sur le bouton « Latte » / « Nettoyage » pour interrompre le processus.
7. Répétez les étapes 1 à 7 autant de fois que nécessaire en utilisant uniquement de l'eau du robinet pour rincer les résidus de vinaigre.

Type d'eau	Fréquence de nettoyage
Eau douce (eau filtrée)	Toutes les 80 utilisations
Eau dure (eau du robinet)	Toutes les 40 utilisations

PROBLÈMES ET CAUSES

FR

PROBLÈMES	CAUSES	SOLUTIONS
Le café ne sort pas.	Il n'y a pas d'eau dans le réservoir.	Ajoutez de l'eau.
	Le café est moulu trop fin.	Utilisez un café moyennement moulu.
	Il y a trop de café dans le filtre.	Mettez moins de café dans le filtre.
	L'appareil n'est pas allumé ou branché.	Branchez l'appareil dans une prise et allumez-le.
	Le café est trop tassé.	Remettez du café dans le panier du filtre sans trop tasser.

PROBLÈMES	CAUSES	SOLUTIONS
Le café déborde sur les côtés du porte-filtre.	Le porte-filtre n'est pas entièrement tourné dans sa position de verrouillage.	Faites tourner le porte-filtre dans sa position de verrouillage complète.
	Café moulu le long du bord du panier à filtre.	Essuyez le bord.
	Il y a trop de café dans le filtre.	Mettez moins de café.
Le lait n'est pas mousseux ou ne sort pas du tube à mousse.	Il n'y a plus de vapeur.	Assurez-vous qu'il y a assez d'eau dans le réservoir.
	Le lait n'est pas assez froid.	Refroidissez le lait et le pichet à mousse avant de préparer votre cappuccino.
	Le tube à mousse est bloqué.	Suivez les instructions pour nettoyer le réservoir de lait et le tube à mousse.
Le café sort trop vite.	Le café est moulu trop grossièrement.	Utilisez un café moulu plus finement.
	Pas assez de café dans le filtre.	Utilisez davantage de café.
Le café n'est pas assez fort.	Utilisation d'un petit filtre pour un espresso double.	Utilisez un grand filtre pour un espresso double.
	Le café est moulu trop grossièrement.	Utilisez un café moulu plus finement.
Les trois voyants de commande clignotent de façon alternative.	Le réservoir d'eau est à court d'eau.	Ajoutez de l'eau au réservoir.



MISE AU REBUT DANS LE RESPECT DE L'ENVIRONNEMENT

Contribuez à la protection de l'environnement !

N'oubliez pas de respecter les dispositions légales en vigueur : remettez tout équipement électrique dans un centre recyclage approprié.

WICHTIGE SICHERHEITSHINWEISE

Bei der Verwendung von Elektrogeräten sollten immer grundlegende Sicherheitsmaßnahmen befolgt werden, um die Gefahr von Feuer, Stromschlag und/oder Personenschäden zu reduzieren, einschließlich Folgendem: .

1. Die gesamte Gebrauchsanleitung sorgfältig durchlesen.
2. Bitte stellen Sie sicher, dass Ihre Ausgangsspannung mit der auf dem Typenschild Ihrer Kaffeemaschine angegebenen Spannung übereinstimmt.
3. Zum Schutz vor Feuer, Stromschlag und Personenschäden tauchen Sie das Kabel, den Stecker oder das Gerät weder in Wasser noch in eine andere Flüssigkeit ein.
4. Strenge Aufsicht von Erwachsenen ist erforderlich, wenn ein Gerät von Kindern oder in deren Nähe verwendet wird.
5. Trennen Sie das Gerät vom Stromnetz, wenn es nicht in Gebrauch ist und bevor es gereinigt werden soll. Lassen Sie das Gerät vor dem Anbringen oder Entfernen von Teilen und vor dem Reinigen abkühlen.
6. Verwenden Sie kein Gerät mit beschädigtem Kabel oder Stecker oder nachdem das Gerät Störungen aufgewiesen hat oder anderweitig beschädigt wurde. Bringen Sie das Gerät zur Überprüfung, Reparatur oder Einstellung zurück zu einer anerkannten Serviceeinrichtung.
7. Die Verwendung von Zubehör, das vom Gerätehersteller nicht empfohlen wird, kann zu Feuer, Stromschlag oder Personenschäden führen.
8. Um das Gerät von der Stromversorgung zu trennen, drehen Sie alle Regler in die Aus-Stellung. Ziehen Sie dann den Stecker aus der Netzsteckdose.
9. Berühren Sie keine heißen Oberflächen, verwenden Sie Griffe oder Knöpfe.
10. Nicht im Freien oder für kommerzielle Zwecke verwenden.
11. Lassen Sie das Kabel nicht über die Tischkante oder die Theke herunterhängen oder heiße Oberflächen berühren.
12. Verwenden Sie nur eine harte, ebene Oberfläche, um eine Unterbrechung des Luftstroms unter dem Gerät zu vermeiden.
13. Achten Sie stets darauf, den Wasserbehälter mit seinem verschlossenen Deckel fest zurück in das Gerät zu setzen und füllen Sie Wasser bis oder über die Mindestmenge auf, bevor Sie das Gerät einschalten.

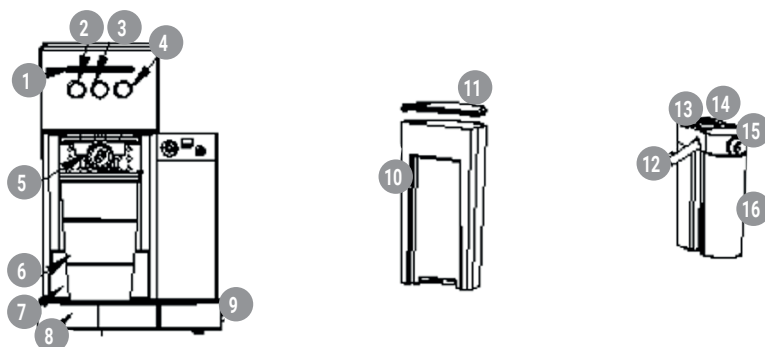
14. Entfernen Sie den Siebträger nicht während Sie Kaffee zubereiten. Bitte stellen Sie sicher, dass die drei Lampen leuchten, bevor Sie den Siebträger entfernen, um zusätzlichen Kaffee zuzubereiten. Vorsicht ist auch beim Entfernen des Siebträgers geboten, da die Metallteile heiß sein werden. Bitte stellen Sie sicher, dass Sie ihn am Griff festhalten und den Filterhalteclip verwenden, um den Kaffeesatz zu entfernen. Vorsicht ist geboten, wenn das Gerät mit heißen Flüssigkeiten bewegt wird.
15. Bitte entfernen Sie den Wasserbehälter nicht vor dem Ausschalten des Geräts.
16. Dieses Gerät ist nicht dafür vorgesehen, mithilfe einer externen Zeitschaltuhr oder separaten Fernsteuerung betrieben zu werden.
17. Dieses Gerät darf nur dann von Kindern ab 8 Jahren, von Personen mit eingeschränkten körperlichen, sensorischen oder geistigen Fähigkeiten sowie von Personen mit mangelnder Erfahrung bzw. fehlendem Wissen verwendet werden, wenn sie unter Aufsicht stehen oder zur sicheren Verwendung des Geräts eingewiesen wurden und die mit dem Gebrauch einhergehenden Gefahren verstanden haben. Kinder dürfen nicht mit dem Gerät spielen. Kinder dürfen die Reinigung und Wartung nicht übernehmen, es sei denn, sie sind über 8 Jahre alt und stehen unter Aufsicht.
18. Halten Sie das Gerät und dessen Kabel von Kindern unter 8 Jahren fern.
19. Vor dem Entfernen von Teilen und Zubehör, stellen Sie bitte sicher, dass die drei Lampen leuchten, bringen Sie den Netzschalter in die „0“-Stellung und entfernen Sie das Gerät aus der Netzsteckdose.
20. Entfernen Sie den Siebträger niemals während des Brühprozesses.
21. Seien Sie vorsichtig beim Entfernen des Siebträgers. Die Metallteile können immer noch sehr heiß sein. Es kann auch heißes Wasser oben auf dem Filter schwimmen. Halten Sie ihn nur an seinem Griff fest und entsorgen Sie den gebrühten Kaffeesatz durch Verwendung des Filterhalteclips.
22. Läuft kein Kaffee durch, ist der Filter blockiert. Schalten Sie das Gerät aus und lassen Sie es abkühlen. Die Blockade kann durch zu fein gemahlene Kaffee ausgelöst worden sein. Weitere Informationen dazu finden Sie unter dem Abschnitt „PROBLEME UND IHRE URSACHEN“.

23. BEI DER REINIGUNG DES MILCHSCHAUMROHRS: Stellen Sie eine große Tasse unter das Rohr. Füllen Sie den Milchbehälter mit Wasser und stellen Sie ihn zurück in das Gerät. Drehen Sie den Milchschaumregler im Uhrzeigersinn in die Reinigungsstellung „ “, betätigen Sie dann die Latte-/Reinigungstaste für 3 Sekunden und lassen Sie diese dann los, um die Reinigungsfunktion zu aktivieren. Lassen Sie das Gerät das Wasser durch das Rohr für ca. 30 Sekunden abgeben und drücken Sie danach einmal die Latte-/Reinigungstaste, um den Prozess zu stoppen.
24. Stellen Sie das Gerät nicht auf oder in die Nähe eines heißen Gas- oder Elektroherds oder in einen heißen Ofen.
25. Verwenden Sie das Gerät nicht für andere Verwendungszwecke, als den dafür vorgesehenen.
26. Lassen Sie das Gerät nicht unbeaufsichtigt.
27. Dieses Gerät ist für den Heimgebrauch im Haushalt und ähnliche Verwendungszwecke geeignet. Dazu zählen:
 - Personalküchen in Geschäften, Büros und anderen Arbeitsumfeldern;
 - Bauernhöfe;
 - Einrichtungen für Kunden in Hotels, Motels und in anderen Wohnumgebungen;
 - Einrichtungen wie Bed-and-Breakfasts und dergleichen.
28. Diese Gebrauchsanleitung gut aufbewahren.

VORSICHT: DRUCK

Um Verbrennungen von Körperteilen und/oder andere Verletzungen durch heißen Dampf und Wasser sowie Geräteschäden zu vermeiden, entfernen Sie niemals den Wasserbehälter oder Siebträger während Ihre Kaffeemaschine Kaffee zubereitet oder Milch aufschäumt. Bitte stellen Sie sicher, dass die drei Lampen leuchten, bevor Sie den Siebträger entfernen können, um zusätzliche Tassen Kaffee zuzubereiten. Wenn Sie den Behältern mehr Wasser oder Milch hinzufügen müssen, stellen Sie bitte sicher, dass die drei Lampen leuchten und Sie das Gerät durch Betätigung der roten Taste an der Seite des Geräts ausschalten, indem Sie diese in die „0“-Stellung bringen.

LERNEN SIE IHRE KAFFEEMASCHINE KENNEN



1	Anzeige	9	Netzschalter „I/O“
2	Espresso-/Custom-Taste	10	Abnehmbarer Wasserbehälter
3	Cappuccino-/Schaumtaste	11	Deckel des Wasserbehälters
4	Latte-/Reinigungstaste	12	Milchschaumrohr
5	Siebträger	13	Hebel des Milchschaumrohrs
6	Reisetasse	14	Milchschaumregler
7	Schublade zur Höhenverstellung	15	Deckel des Milchbehälters
8	Auffangschale	16	Abnehmbarer Milchbehälter

VOR DER ERSTEN VERWENDUNG

Reinigung und Vorbereitung des Geräts vor der ersten Verwendung.

Bitte machen Sie sich über den Abschnitt „Gerätebeschreibung“ mit dem Produkt vertraut und identifizieren Sie alle Teile.

1. Bitte stellen Sie sicher, dass das Gerät ausgeschaltet ist (auf der Stellung „0“), indem Sie den Netzschalter betätigen, der sich an der Seite des Geräts befindet. Bitte stellen Sie sicher, dass sich der Stecker nicht in der Steckdose befindet.
2. Entfernen Sie Aufkleber und Etiketten vom Gerät.
3. Entfernen Sie als Erstes den Wasserbehälter, den Milchbehälter, den Siebträger, die drei Filter und den Messlöffel und reinigen Sie diese anschließend in einem Gemisch aus einem milden Reini-

gungsmittel und Wasser. Spülen Sie alle Teile gründlich ab und setzen Sie diese wieder in das Gerät.

4. Bitte lesen Sie die Anweisungen im Abschnitt „EINSETZEN DES SIEBTRÄGERS“ bevor Sie den Siebträger und Filter des Geräts einsetzen oder entfernen.
5. Um das Innere des Geräts zu reinigen, folgen Sie bitte den im Abschnitt „CAPPUCCINO ZUBEREITEN“ aufgelisteten Schritten, wobei Sie in beiden Behältern Wasser und keinen Kaffee im Filter verwenden. Tauchen Sie das Gerät nicht in Wasser ein und berühren Sie keine der Innenteile.

HINWEIS: Damit Ihr Gerät immer wieder ordnungsgemäß funktioniert, reinigen Sie es nach jedem Gebrauch.

WICHTIG – VORBEREITUNG DES GERÄTS

Zur Vorbereitung des Geräts führen Sie den Dampfkreislauf für 90 Sekunden aus, indem Sie die nachfolgenden Schritte durchführen:

1. Befüllen Sie den Wasserbehälter zwischen den „Min“ und „Max“-Angaben.
 2. Füllen Sie den Milchbehälter zwischen den „Min“ und „Max“-Angaben mit Wasser.
 3. Wählen Sie einen der Filter aus und bringen Sie ihn auf dem Siebträger an. Setzen Sie den Siebträger in das Gerät ein. Stellen Sie dabei sicher, dass er richtig verriegelt ist und setzen Sie eine Tasse darunter. Stellen Sie außerdem sicher, dass sich die Spitze des Milchschaumrohrs in der Tasse befindet.
 4. Schließen Sie das Gerät an die Steckdose an.
 5. Schalten Sie den Netzschalter ein auf die Stellung „I“.
 6. Die drei Lampen des Bedienfelds fangen an zu blinken. Sobald diese Lampen dauerhaft leuchten, drücken Sie die Cappuccino-Taste zweimal.
 7. Sobald dieser Prozess abgeschlossen ist, werden die drei Lampen dauerhaft leuchten.
- Jetzt ist Ihr Gerät vorbereitet und gebrauchsfertig.

AUSWAHL DER RICHTIGEN TASSE

Bevor Sie Ihr Getränk zubereiten, stellen Sie bitte sicher, dass Sie die richtige Tassengröße entsprechend der folgenden Tabelle wählen:

Caffé Barista Verhältnisse		
Espresso	Einfach	60 ml (2oz)
	Doppelt	119 ml (4oz)
Cappuccino	Einfach	178 ml (6oz)
	Doppelt	355 ml (12oz)
Latte	Einfach	296 ml (10oz)
	Doppelt	474 ml (16oz)



AUSWAHL DES RICHTIGEN KAFFEES

DER KAFFEE

Der Kaffee sollte frisch gemahlen und dunkel geröstet sein. Sie können einen französischen oder italienischen gerösteten gemahlene Kaffee für Espresso verwenden. Vorgemahlener Kaffee behält sein Aroma nur für 7 - 8 Tage, vorausgesetzt er befindet sich in einem luftdichten Behälter und an einem kühlen, dunklen Ort. Nicht im Kühlschrank oder Gefrierschrank aufbewahren. Es wird empfohlen, ganze Bohnen direkt vor dem Gebrauch zu mahlen. Kaffeebohnen, die in einem luftdichten Behälter aufbewahrt werden, behalten ihr Aroma für bis zu 4 Wochen.

DAS MAHLEN

Dies ist ein wichtiger Schritt bei der Zubereitung von Espresso, wenn Sie Ihren eigenen Kaffee mahlen und erfordert Übung. Der Kaffee muss fein gemahlen sein. Korrekt gemahlen sollte er wie Salz aussehen. Wenn der gemahlene Kaffee zu fein ist, fließt das Wasser auch unter Druck nicht durch den Kaffee durch. Diese gemahlene Kaffees sehen wie Pulver aus und fühlen sich wie Mehl an, wenn sie zwischen den Fingern gerieben werden. Ist der Kaffee zu grob, fließt das Wasser zu schnell durch den Kaffee und verhindert eine vollmundige Extraktion. Achten Sie darauf, eine qualitativ hochwertige Mühle zu verwenden, um eine gleichmäßige Konsistenz zu erhalten.

GEBRAUCHSANLEITUNG

BEFÜLLEN DES WASSERBEHÄLTERS

1. Füllen Sie den Behälter mit Wasser. Sie können dazu entweder ein Glas verwenden oder ihn vom Gerät abnehmen und ihn dann unter dem Wasserhahn auffüllen. Wenn Sie ihn vom Gerät abgenommen haben, um ihn mit Wasser zu füllen, dann stellen Sie bitte sicher, dass Sie den Behälter wieder fest an seinen Platz setzen. Füllen Sie den Behälter mit der gewünschten Menge an Wasser und stellen Sie dabei sicher, dass er zwischen den Markierungen „Min“ und „Max“ auf dem Behälter gefüllt ist. Verwenden Sie niemals warmes oder heißes Wasser, um den Behälter zu befüllen.
2. Schließen Sie den Wasserbehälter mit dem Deckel, stellen Sie ihn zurück in das Gerät und stellen Sie dabei sicher, dass er fest sitzt.

BEFÜLLEN DES MILCHBEHÄLTERS

Wenn Sie einen Cappuccino oder Latte zubereiten möchten, nehmen Sie den Milchbehälter vom Gerät ab und öffnen Sie den Deckel. Dann gießen Sie die vermutlich benötigte Menge an kalter Milch hinein, sodass sich diese zwischen den „Min“ und „Max“-Angaben befindet. Wenn Sie fertig sind, stellen Sie den Milchbehälter wieder in das Gerät und achten Sie darauf, dass er fest sitzt. Hinweis: Sie können die Art der Milch verwenden, die Sie bevorzugen, beispielsweise Vollmilch, fettarme Milch, Biomilch oder Sojamilch.



WAHL DES FILTERS

Wählen Sie folgendermaßen den Filter:

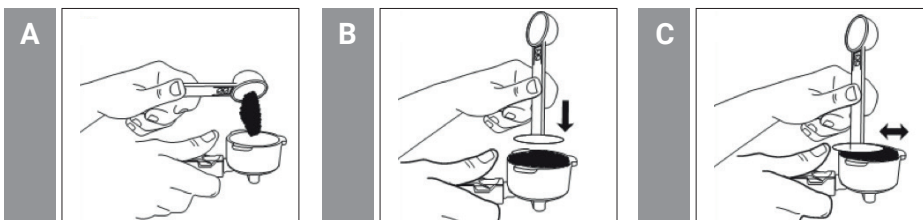
1. FÜR EINEN EINZELSCHUSS – verwenden Sie den Filter für einen einzigen Schuss Espresso, wenn Sie gemahlene Kaffee verwenden
2. FÜR EINEN DOPPELSCHUSS – verwenden Sie den Filter für einen doppelten Schuss.

BEFÜLLUNG MIT KAFFEE

Bringen Sie den ausgewählten Filter auf dem Siebträger wie folgt an:

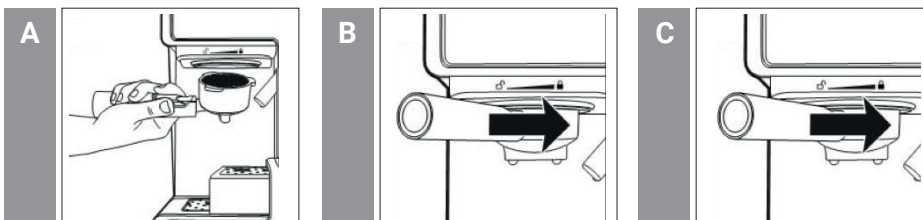
FÜR GEMAHLENE KAFFEE::

1. Füllen Sie den Filter mit frischem, fein gemahltem Espressokaffee (bitte nicht überfüllen).
2. Stampfen und komprimieren Sie den gemahlten Kaffee fest und gleichmäßig.
3. Reinigen Sie überschüssigen Kaffee vom Rand, um so den richtigen Sitz unter dem Brühkopf zu gewährleisten.



ANBRINGUNG DES SIEBTRÄGERS

1. Bringen Sie den Siebträger unter dem Brühkopf an. Befestigen Sie den Siebträger, indem Sie zunächst die Halteklammer zurückbewegen.
2. Positionieren Sie den Griff so, dass sich der Griff in einer Linie mit dem offenen Schlosssymbol „“ auf dem Gerät befindet und in die Nut passt.
3. Drehen Sie ihn dann langsam nach rechts bis sich der Halteclip mit dem geschlossenen Schlosssymbol „“ auf dem Gerät in einer Linie befindet.



DAS ABSTELLEN DER TASSE(N)

1. Ziehen Sie die höhenverstellbare Ablage heraus, wenn Sie eine kleine „Mokkatasse“ verwenden, um einen Espresso zuzubereiten.
2. Lassen Sie die höhenverstellbare Ablage im Fach, wenn Sie eine größere Tasse zur Zubereitung von Cappuccino verwenden.
3. Lassen Sie die höhenverstellbare Ablage im Fach, wenn Sie eine größere Tasse zur Zubereitung von Latte verwenden.

VORSICHT: Wenn Sie Cappuccino oder Latte zubereiten, stellen Sie bitte sicher, dass Sie den Hebel des Milchschaumrohrs einstellen, um das Milchschaumrohr in die zu benutzende Tasse zu platzieren.

EINSCHALTEN DES GERÄTS

1. Stellen Sie bitte sicher, dass das Gerät angeschlossen ist.
2. Schalten Sie das Gerät ein „I“.

Die drei Lampen des Bedienfelds beginnen während der Erwärmung und bis das Wasser die perfekte Temperatur erreicht zu blinken. Sobald diese Lampen dauerhaft leuchten, ist das Gerät gebrauchsfertig.

WÄHLEN DER FUNKTION

ZUBEREITUNG VON ESPRESSO

1. Betätigen Sie die Espresso-Taste einmal, um einen Einzelschuss zuzubereiten.
2. Betätigen Sie die Espresso-Taste zweimal, um einen Doppelschuss zuzubereiten.
3. Drücken und halten Sie die Espresso-Taste 3 Sekunden lang, um die Zubereitung entsprechend Ihrer Wünsche anzupassen. Wenn Sie fertig sind, betätigen Sie die Espresso-Taste noch einmal zum Beenden.

Das Gerät startet entsprechend Ihrer Auswahl, um den Espresso zuzubereiten. Das Gerät schaltet sich automatisch ab und die Lampen beginnen dauerhaft zu leuchten, wodurch angezeigt wird, dass der Zyklus abgeschlossen ist. Ihr köstlicher Espresso kann nun genossen werden. HINWEIS: Um weniger Kaffee als die voreingestellte Portion zuzubereiten, betätigen Sie bitte die Funktionstaste, um den Brühprozess zu beenden, wenn die gewünschte Kaffeemenge erreicht wurde.

ZUBEREITUNG VON CAPPUCCINO

Vor der Zubereitung Ihres Cappuccinos stellen Sie bitte die Menge der aufgeschäumten Milch entsprechend Ihren Wünschen ein, indem Sie den Milchschaumregler für mehr Schaum nach rechts und für weniger Schaum nach links drehen.

Hinweis: Die Schaumintensität kann während des Brühprozesses eingestellt werden.

1. Betätigen Sie die Cappuccino-Taste einmal, um eine kleine Tasse Cappuccino zuzubereiten.
2. Betätigen Sie die Cappuccino-Taste zweimal, um eine große Tasse Cappuccino zuzubereiten.

Das Gerät startet entsprechend Ihrer Auswahl, um den Cappuccino zuzubereiten. Ihr köstlicher Cappuccino kann nun genossen werden.

ZUBEREITUNG VON LATTE

Vor der Zubereitung Ihres Latte stellen Sie bitte die Menge der aufgeschäumten Milch entsprechend Ihren Wünschen ein, indem Sie den Milchschaumregler für mehr Schaum nach rechts und für weniger Schaum nach links drehen.

1. Betätigen Sie die Latte-Taste einmal, um eine kleine Tasse Latte zuzubereiten.
2. Betätigen Sie die Latte-Taste zweimal, um eine große Tasse Latte zuzubereiten.



ZUBEREITUNG VON MILCHSCHAUM

Das Gerät ermöglicht es Ihnen auch, nur Milchschaum zuzubereiten. Drücken und halten Sie die Cappuccino-Taste 3 Sekunden lang, wenn Sie Ihrem Getränk mehr Schaum hinzufügen möchten oder um Milchschaum für ein anderes Getränk, z. B. Macchiato, heiße Schokolade, Chai Latte etc. zuzubereiten. Wenn Sie fertig sind, betätigen Sie die Cappuccino-Taste noch einmal zum Beenden.

NACH DER ZUBEREITUNG IHRER GETRÄNKE MIT MILCH

Sobald Sie mit der Zubereitung Ihres Getränks mit Milch fertig sind, können Sie den Milchbehälter des Geräts entweder direkt im Kühlschrank lagern (gebrauchsfertig für das nächste Mal) oder die übrige Milch entsorgen.

EINFÜHRUNG

ESPRESSO

Eine einzigartige Methode zur Kaffeezubereitung, in der heißes Wasser durch fein gemahlene Kaffee ge-
presst wird. Beliebt in Europa, denn er wird viel stärker und vollmundiger zubereitet als normaler Filterkaffee.
Aufgrund seiner Stärke wird Espresso üblicherweise in 44 bis 59 ml Portionen, in Mokkatassen, servi

CAPPUCCINO

Ein Getränk aus ca. 1/3 Espresso, 1/3 aufgeschäumter Milch und 1/3 Milchschaum.

LATTE

KEin Getränk aus ca. 1/4 Espresso und 3/4 aufgeschäumter Milch. Bitte lesen Sie ALLE Anweisungen, Vor-
sichtsmaßnahmen, Anmerkungen und Warnhinweise in diesem Handbuch sorgfältig durch, bevor Sie dieses
Gerät in Betrieb nehmen. Wenn dieses Gerät verwendet wird, werden einige Teile und Zubehör heiß und
müssen abkühlen. Die richtige Pflege und Wartung stellt eine lange Lebensdauer der Espresso-, Cappucci-
no- und Latte-Maschine und ihren störungsfreien Betrieb sicher. Bitte bewahren Sie diese Anleitung gut auf
und lesen Sie darin öfter die Reinigungs- und Pflegetipps noch einmal durch.

KORREKTE VERWENDUNG VON GEMAHLENEM KAFFEE FÜR ES- PRESSOMASCHINEN

Verwenden Sie keinen zuckergerösteten gemahlene Kaffee oder Kaffeebohnen, da diese den Filter
verstopfen und das Gerät beschädigen werden. Wenn zuckergerösteter Kaffee aus Versehen verwendet
wurde, verwenden Sie das Gerät nicht mehr und bringen Sie es zum nächsten Service-Center zur War-
tung. Wir empfehlen, die Maschine regelmäßig zu entkalken, um sie in einem guten Betriebszustand zu
halten. Kontaktieren Sie unsere Service-Center, um mehr über diesen Prozess zu erfahren.





REINIGUNG DES MILCHBEHÄLTERS UND DES MILCHSCHAUMLROHRS

Obwohl Sie den Milchbehälter mit der übrigen Milch im Kühlschrank aufbewahren können, ist es wichtig den Behälter und das Milchschaumrohr regelmäßig zu reinigen, um Verstopfungen und die Bildung von Rückständen zu vermeiden. Um den Milchbehälter zu reinigen, befolgen Sie bitte die nachstehend aufgelisteten Anweisungen:

1. Entfernen Sie den Milchbehälter vom Gerät.
2. Entfernen Sie den Deckel des Behälters.
3. Gießen Sie die übrige Milch aus und spülen und reinigen Sie den Milchbehälter und seinen Deckel gründlich mit warmem Seifenwasser. Gründlich abspülen und trocknen. Verwenden Sie keine Scheuermittel und Scheuerpads, da sie die Oberfläche zerkratzen. Der Milchbehälter ist auch spülmaschinenfest (obere Ablage). Legen Sie den Deckel des Milchbehälters nicht in die Spülmaschine.
4. Stellen Sie eine große leere Tasse unter das Milchschaumrohr.
5. Drücken und halten Sie die Latte-/Reinigungstaste für 3 Sekunden und lassen Sie diese dann los. Das Gerät beginnt durch das Milchschaumrohr Dampf abzulassen. Lassen Sie diesen für einige Sekunden entweichen, bis Sie keine Milch mehr in der Tasse sehen. Wenn Sie fertig sind, betätigen Sie die Latte-/Reinigungstaste einmal um den Prozess zu stoppen.
6. Entfernen Sie übriges Wasser aus dem Milchbehälter und setzen Sie diesen zurück in das Gerät.

REINIGUNG DES BRÜHKOPFS, DES SIEBTRÄGERS UND DES FILTERS

1. Schalten Sie den Netzschalter auf der Seite des Geräts in die „0“-Stellung und ziehen Sie den Netzstecker aus der Steckdose.
2. Einige der Metallteile könnten noch heiß sein. Berühren Sie diese nicht mit Ihren Händen, bis sie abgekühlt sind.
3. Entfernen Sie den Siebträger und entsorgen Sie den Kaffeesatz oder die verwendete Kapsel. Reinigen Sie sowohl den Siebträger als auch den Filter mit warmem Seifenwasser und spülen Sie diese gut aus. Reinigen Sie den Siebträger und die Filter nicht in der Spülmaschine.
4. Wischen Sie den unteren Teil des Brühkopfs im Gerät mit einem feuchten Tuch oder Papiertuch ab, um möglichen übrig gebliebenen Kaffeesatz zu entfernen.
5. Bringen Sie den Siebträger (ohne Filter) wieder im Brühkopf des Geräts an.
6. Stellen Sie eine große Tasse unter den Siebträger.
7. Betätigen Sie die Espresso-Taste einmal und lassen Sie das Gerät nur Wasser brühen, bis es automatisch stoppt.

REINIGUNG DES WASSERBEHÄLTERS

Entfernen Sie das restliche Wasser, indem Sie den Behälter abnehmen und über dem Spülbecken ausgießen. Es wird empfohlen, den Wasserbehälter zwischen den Verwendungen zu leeren. Reinigen Sie den Wasserbehälter mit Seifenwasser, spülen Sie ihn sorgfältig ab und wischen Sie ihn trocken. Der Wasserbehälter ist auch spülmaschinenfest.

REINIGUNG DES GERÄTS

1. Wischen Sie das Gehäuse mit einem weichen trockenen Tuch ab. Verwenden Sie keine Scheuermittel oder Scheuerpads, da sie die Oberfläche zerkratzen.
2. Bewahren Sie den Siebträger nicht im Brühkopf auf. Dies kann sich bei der Zubereitung von Espresso nachteilig auf die Dichtung zwischen dem Brühkopf und dem Siebträger auswirken.

VORSICHT: Tauchen Sie das Gerät nicht in Wasser ein.



ENTKALKEN

Mineralablagerungen, die sich im Gerät ansammeln, beeinträchtigen den Betrieb des Geräts. Ihr Gerät ist zu entkalken, wenn Sie bemerken, dass sich die Zeit für die Zubereitung eines Espressos verlängert oder wenn übermäßiger Dampf entsteht. Außerdem könnten Sie eine Ansammlung von weißen Ablagerungen auf der Oberfläche des Brühkopfs bemerken.

Die Häufigkeit der Reinigung hängt von der Härte des verwendeten Wassers ab. Die folgende Tabelle zeigt die empfohlenen Reinigungsintervalle.

Arten von Wasser	Reinigungshäufigkeit
Weiches Wasser (gefiltertes Wasser)	Alle 80 Brühungen
Hartes Wasser (Leitungswasser)	Alle 40 Brühungen

ZUM ENTKALKEN DES WASSERBEHÄLTERS:

1. Befüllen Sie den Behälter mit frischem, unverdünntem, weißem Haushaltsessig.
2. Lassen Sie die Essiglösung über Nacht im Wasserbehälter des Geräts.
3. Entfernen Sie den Essig, indem Sie den Behälter abnehmen und über dem Spülbecken ausgießen.
4. Spülen Sie den Wasserbehälter mit Leitungswasser gründlich aus indem Sie den Behälter halb voll mit Wasser füllen und das Wasser zurück ins Spülbecken gießen. Wiederholen Sie diesen Schritt zweimal.

ZUM ENTKALKEN VON INNENTEILEN:

1. Stellen Sie sicher, dass Sie zunächst das Innere des Wasserbehälters entkalken, indem Sie die oben angegebenen Schritte für das „Entkalken“ befolgen.
2. Achten Sie darauf, den Netzschalter in die „0“-Stellung zu bringen und den Netzstecker aus der Steckdose zu entfernen. Füllen Sie den Behälter mit weißem Essig bis oberhalb des auf dem Behälter angegebenen Mindestwerts.
3. Setzen Sie den Siebträger (mit Filter und ohne Kaffee) ein und setzen Sie ein Glas/eine Karaffe oder eine gewöhnliche Tasse auf die Auffangschale und unter den Siebträger.
4. Stecken Sie den Stecker in die Steckdose.
5. Betätigen Sie den Netzschalter, um das Gerät in die „I“-Stellung zu bringen. Sobald die 3 Lampen auf dem Bedienfeld dauerhaft blau leuchten, betätigen Sie die Espresso-/Custom-Taste zweimal. Der Essig beginnt durch das Gerät zu fließen und das Gerät stoppt automatisch.
6. Stellen Sie einen Krug oder große Tasse (mit mindestens 325 ml Kapazität) unter das Rohr. Füllen Sie den Milchbehälter mit Wasser und stellen Sie ihn zurück in das Gerät. Drehen Sie den Milchschaumregler im Uhrzeigersinn in die Reinigungsstellung „“, betätigen Sie dann die Latte-/Reinigungstaste für 3 Sekunden, um die Reinigungsfunktion zu aktivieren. Lassen Sie das Gerät das Wasser durch das Rohr für ca. 30 Sekunden abgeben und drücken Sie danach einmal die Latte-/Reinigungstaste, um den Prozess zu stoppen.
7. Wiederholen Sie bei Bedarf die Schritte 1 – 7 unter Verwendung von Leitungswasser und spülen Sie Essigreste aus der Maschine.

PROBLEME UND URSACHEN

PROBLEM	URSACHEN	LÖSUNGEN
Es kommt kein Kaffee heraus.	Kein Wasser im Behälter.	Wasser hinzufügen.
	Der Kaffee ist zu fein gemahlen.	Mahlen Sie mittelfeinen Kaffee.
	Zu viel Kaffee im Filter.	Befüllen Sie den Filter mit weniger Kaffee.
	Das Gerät wurde nicht eingeschaltet oder angeschlossen.	Stecken Sie den Stecker des Geräts in die Steckdose und schalten Sie es ein.
	Der Kaffee wurde zu stark gestampft/komprimiert.	Befüllen Sie den Filterkorb mit Kaffee, stampfen Sie ihn nicht zu viel.



PROBLEM	URSACHEN	LÖSUNGEN
Kaffee tritt am Rand des Siebträgers aus.	Der Siebträger lässt sich nicht in die vollständige Verriegelungsposition drehen.	Drehen Sie den Filterhalter in die vollständige Verriegelungsposition.
	Kaffeesatz um den Rand des Filterkorbs.	Wischen Sie den Rand ab.
	Zu viel Kaffee im Filter.	Füllen Sie den Filter mit weniger Kaffee.
Die Milch ist nach dem Aufschäumen nicht schaumig oder kommt nicht aus dem Milchschaumrohr heraus.	Kein Dampf mehr.	Stellen Sie sicher, dass genügend Wasser im Behälter ist.
	Die Milch ist nicht kalt genug.	Kühlen Sie die Milch und den Schaumkrug vor der Zubereitung des Cappuccino ab.
	Das Milchschaumrohr ist blockiert.	Befolgen Sie die Anweisungen zur Reinigung des Milchbehälters und des Milchschaumrohrs.
Kaffee kommt zu schnell heraus.	Der gemahlene Kaffee ist zu grob.	Verwenden Sie feiner gemahlene Kaffee.
	Nicht genug Kaffee im Filter.	Verwenden Sie mehr Kaffee.
Der Kaffee ist zu schwach.	Verwendung des kleinen Filters für einen Doppelschuss-Espresso.	Verwenden Sie einen großen Filter für einen Doppelschuss-Espresso.
	Der gemahlene Kaffee ist zu grob.	Verwenden Sie feiner gemahlene Kaffee.
Die drei Lampen des Bedienfelds fangen an, abwechselnd zu blinken.	Der Wassertank ist leer.	Füllen Sie Wasser in den Behälter.



UMWELTFREUNDLICHE ENTSORGUNG

Sie können dazu beitragen, Ihre Umwelt zu schützen!
Bitte beachten Sie die lokalen Bestimmungen: Bringen Sie nicht mehr funktionierende Elektrogeräte zu einer entsprechenden Entsorgungsstelle.



PRECAUZIONI IMPORTANTI

Nell'usare apparecchi elettrici si devono sempre seguire le fondamentali precauzioni per ridurre il rischio di incendio, elettrocuzione e/o lesioni personali, tra cui:

1. Leggere bene e fino in fondo le istruzioni.
2. Assicurarsi che la tensione alla presa corrisponda a quella indicata sull'etichetta della macchina da caffè.
3. Per proteggere da incendi, elettrocuzione e lesioni personali, non immergere il cavo, la spina o l'unità in acqua o altri liquidi.
4. Controllare da vicino l'uso dell'apparecchio da parte dei bambini o se sono nelle vicinanze.
5. Staccare la spina dalla presa di corrente quando non si usa e prima di pulirle l'apparecchio. Lasciar raffreddare l'apparecchio prima di inserire o togliere delle parti e pulirlo.
6. Non mettere in funzione un apparecchio che presenti un cavo o una spina danneggiati o in seguito a malfunzionamenti o se è stato in qualche modo danneggiato. Rivolgersi a un centro di assistenza autorizzato per l'esame, la riparazione o la regolazione dell'apparecchio.
7. L'uso di accessori non raccomandati dal produttore può provocare incendi, elettrocuzione o lesioni personali.
8. Per scollegare l'apparecchio, portare tutti i controlli in posizione "off" e rimuovere la spina dalla presa a muro.
9. Non toccare le superfici calde, usare sempre le maniglie o le manopole.
10. Non usare all'aperto o per scopi commerciali.
11. Evitare che il cavo penda oltre il bordo del tavolo o del bancone o che sia a contatto con superfici calde.
12. Collocare l'apparecchio solo su superfici dure e livellate, per favorire la circolazione all'aria sotto di esso.
13. Prima di accendere l'apparecchio, assicurarsi sempre di aver riposizionato il serbatoio dell'acqua con il coperchio chiuso e di averlo riempito di acqua almeno fino alla tacca del minimo o sopra di esso.
14. Non rimuovere il porta-filtro durante l'erogazione del caffè. Assicurarsi che

le tre spie siano accese prima di rimuovere il porta-filtro per fare dell'altro caffè. Fare attenzione anche quando si rimuove il porta-filtro perché le parti metalliche potrebbero essere calde. Afferrarlo per il manico e usare la linguetta di ritenzione del filtro per smaltire i fondi. Fare attenzione quando si sposta l'unità se contiene liquidi caldi.

15. Non rimuovere il serbatoio dell'acqua prima di aver spento l'unità.
16. Questo apparecchio non è progettato per funzionare con un timer esterno o comando a distanza.
17. L'apparecchio può essere utilizzato da bambini maggiori di 8 anni e da persone con ridotte capacità fisiche, sensoriali o mentali o con mancanza di esperienza e conoscenza, a condizione che siano sotto supervisione o siano stati istruiti sull'uso sicuro dell'apparecchio e che abbiano compreso i rischi connessi. Non far giocare i bambini con l'apparecchio. Non affidare pulizia e manutenzione dell'apparecchio ai bambini a meno che non abbiano più di 8 anni e siano sorvegliati.
18. Tenere l'apparecchio e il relativo cavo fuori dalla portata dei bambini di meno di 8 anni.
19. Prima di rimuovere qualsiasi parte o accessorio, assicurarsi che le tre spie siano accese, quindi spegnere l'unità portando l'interruttore di accensione in posizione "0" e staccare la spina dell'apparecchio.
20. Non rimuovere il porta-filtro in nessun momento durante il processo di infusione.
21. Fare attenzione nel rimuovere il porta-filtro: le parti metalliche potrebbero essere ancora molto calde e potrebbe esserci acqua calda residua sulla parte superiore del filtro. Afferrarlo solo per il manico e smaltire il caffè esaurito usando la clip di ritenzione del filtro.
22. Se il caffè non esce, il filtro è bloccato. Spegnerne l'apparecchio e lasciarlo raffreddare. Il blocco può essere causato dalla grana troppo fine del caffè. Vedere la sezione "DIAGNOSTICA".
23. **PER PULIRE IL TUBO DI EROGAZIONE DELLA SCHIUMA DI LATTE:** Mettere una tazza grande sotto il tubo. Riempire il serbatoio del latte con acqua e rimetterlo sull'unità. Ruotare la manopola di erogazione della schiuma in

senso orario fino alla posizione di pulizia “ ”, quindi premere il pulsante “Latte/Clean” per 3 secondi e rilasciarlo per avviare la pulizia. Far uscire l’acqua dal tubo per circa 30 secondi e poi premere il pulsante “Latte/Clean” per arrestare il processo.

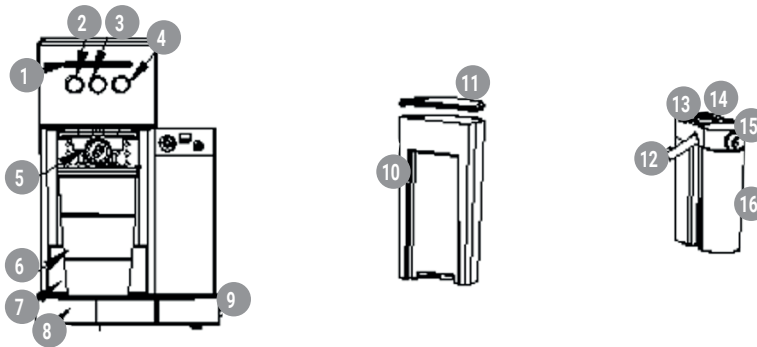
24. Non mettere l’apparecchio sopra o vicino a fornelli o piastre elettriche caldi, ne inserirlo in un forno caldo.
25. Non utilizzare l’apparecchio per scopi diversi da quelli previsti.
26. Non lasciare incustodito l’apparecchio acceso.
27. Questo apparecchio è progettato per l’uso domestico e applicazioni analoghe:
 - Zone cucina per il personale in negozi, uffici e altri ambienti di lavoro;
 - Agriturismi;
 - Uso da parte dei clienti di alberghi, pensioni e altre strutture residenziali;
 - B&B.
28. Conservare queste istruzioni.

ATTENZIONE: PRESSIONE

Per evitare possibili ustioni dovute al vapore e all’acqua bollente o danni all’unità, non rimuovere mai il serbatoio dell’acqua o il porta-filtro mentre si sta preparando il caffè o la schiuma. Assicurarsi che le tre spie siano accese prima di rimuovere il porta-filtro e fare dell’altro caffè. In caso ci sia bisogno di aggiungere acqua o latte nel relativo serbatoio, assicurarsi che le tre spie siano accese e quindi spegnere l’unità premendo l’interruttore rosso laterale portandolo su “0”.

COMPONENTI DELLA MACCHINA DA CAFFÈ

IT



1	Spia	9	Interruttore di alimentazione
2	Pulsante "Espresso"	10	Serbatoio dell'acqua rimovibile
3	Pulsante "Cappuccino"	11	Coperchio del serbatoio dell'acqua
4	Pulsante "Latte"	12	Tubo per l'erogazione della schiuma di latte
5	Porta-filtro	13	Leva del tubo della schiuma
6	Tazza da viaggio	14	Manopola di erogazione della schiuma
7	Cassetto di regolazione dell'altezza della tazza	15	Coperchio del serbatoio del latte
8	Vaschetta raccogli gocce	16	Serbatoio del latte rimovibile/trasparente

PRIMO UTILIZZO

Pulizia e preparazione dell'unità per il primo utilizzo.

Consultare la sezione "Componenti della macchina da caffè" per familiarizzare con il prodotto e individuare tutte le parti.

1. Assicurarsi che l'unità sia spenta e l'interruttore di accensione sul lato dell'unità in posizione "0". Assicurarsi che sia scollegata dalla presa elettrica.
2. Rimuovere gli adesivi e le etichette dall'unità.
3. Per prima cosa rimuovere e lavare il serbatoio dell'acqua e quello del latte, il porta-filtro, i tre filtri e il misurino in una miscela di detergente delicato e acqua. Risciacquarli accuratamente e rimetterli nell'unità.

57

4. Prima di inserire o rimuovere il porta-filtro e il filtro dall'unità, consultare le istruzioni nella sezione "INSERIMENTO DEL PORTA-FILTRO".
5. Per pulire l'interno dell'apparecchio, seguire le istruzioni nella sezione "PREPARAZIONE DEL CAPPUCCINO" utilizzando acqua in entrambi i serbatoi e senza caffè nel filtro. Non immergere l'apparecchio in acqua e non tentare di raggiungere nessuna delle sue parti interne.

N.B.: Pulire l'unità dopo ogni utilizzo per farla funzionare sempre correttamente.

IMPORTANTE – PREPARAZIONE DELL'UNITÀ

Per preparare l'unità, eseguire il ciclo vapore per 90 secondi seguendo i seguenti passaggi:

1. Riempire il serbatoio dell'acqua tra il livello "Min" e il livello "Max".
2. Riempire il serbatoio del latte con acqua tra il livello "Min" e il livello "Max".
3. Selezionare uno dei filtri e inserirlo nel porta-filtro. Posizionare il porta-filtro nell'unità assicurandosi che sia ben bloccato, quindi posizionare una tazza sotto di esso. Assicurarsi anche che la punta del tubo di erogazione della schiuma di latte sia dentro la tazza.
4. Collegare l'apparecchio alla presa di corrente.
5. Portare l'interruttore di accensione su "I".
6. Le tre spie sul pannello di controllo inizieranno a lampeggiare. Quando queste spie avranno smesso di lampeggiare, premere due volte il pulsante "Cappuccino".
7. Terminato il processo, le tre spie sul pannello di controllo resteranno accese.

A questo punto, l'unità è attivata ed è pronta per l'uso.

SCELTA DELLA TAZZA

Prima di preparare la bevanda, assicurarsi di scegliere una tazza della dimensione giusta, secondo la tabella seguente:

Porzioni da bar		
Espresso	Single Double	60 ml (2oz) 119 ml (4oz)
Cappuccino	Single Double	178 ml (6oz) 355 ml (12oz)
Latte	Single Double	296 ml (10oz) 474 ml (16oz)



SCELTA DEL CAFFÈ

IL CAFFÈ

Il caffè dovrebbe essere torrefatto e macinato di fresco. Per l'espresso si consiglia una macinatura francese o italiana. Il caffè già macinato manterrà il suo sapore solo per 7 – 8 giorni, a condizione che sia conservato in un contenitore ermetico e in una zona fresca e buia, non in frigorifero o nel congelatore. I chicchi interi vanno macinati appena prima dell'uso e, se conservati in un contenitore ermetico, manterranno il loro sapore fino a 4 settimane.

MACINATURA

Se si sceglie di macinarsi il caffè in proprio, questo è un punto fondamentale nella preparazione di un espresso e richiede un po' di pratica. Il caffè deve essere a grana fine. Il caffè macinato correttamente dovrebbe richiamare il sale fino.

Se la grana è troppo fine, l'acqua non attraverserà il caffè neanche sotto pressione. In tal caso avrà la consistenza della farina se lo si passa tra le dita. Se la grana è troppo grossa, l'acqua attraversa il caffè troppo velocemente, impedendo la completa estrazione dal sapore. Usare sempre un macinacaffè di qualità per ottenere una consistenza uniforme.

ISTRUZIONI PER L'USO

RIEMPIMENTO DEL SERBATOIO DELL'ACQUA

1. Riempire il serbatoio dell'acqua, usando una brocca o togliendolo dall'unità e tenendolo sotto il rubinetto. Se è stato rimosso dall'unità per riempirlo d'acqua, assicurarsi di riposizionarlo poi saldamente al suo posto. Riempire il serbatoio con la quantità d'acqua desiderata, sopra la tacca del livello "Min" e al di sotto di quella del livello "Max". Non usare mai acqua calda o bollente per riempire il serbatoio dell'acqua.
2. Chiudere il coperchio e rimettere il serbatoio dell'acqua nell'unità assicurandosi che sia stabile.

RIEMPIMENTO DEL SERBATOIO DEL LATTE

Per preparare un cappuccino o un latte macchiato, rimuovere il serbatoio del latte dall'unità, aprire il coperchio e versare la quantità di latte freddo che si ritiene necessaria, sopra il livello "Min" e al di sotto del livello "Max". Al termine, reinserire il serbatoio del latte nell'unità assicurandosi che sia stabile.

N.B.: Si può usare il tipo di latte che si preferisce, intero, scremato, biologico o di soia.



SCELTA DEL FILTRO

Selezionare il filtro da utilizzare seguendo queste indicazioni:

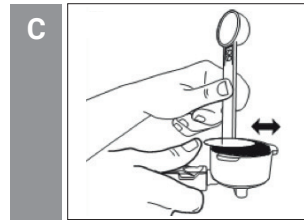
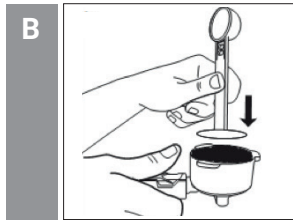
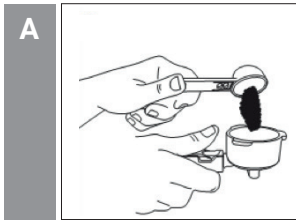
1. PER UN CAFFÈ SINGOLO – usare il filtro per una singola dose di caffè se si usa il caffè macinato.
2. PER UN CAFFÈ DOPPIO O DUE CAFFÈ SINGOLI – utilizzare il filtro per una doppia dose.

RIEMPIMENTO DEL FILTRO

Inserire il filtro selezionato nel porta-filtro seguendo queste indicazioni:

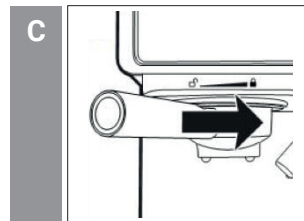
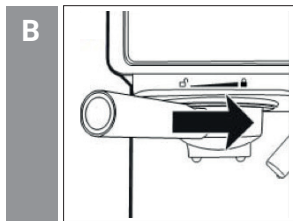
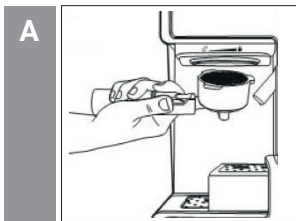
CAFFÈ MACINATO:

1. Riempire il filtro con caffè fresco e a grana fine (non metterne troppo).
2. Pressare energicamente e uniformemente il caffè nel filtro.
3. Pulire il caffè eventualmente fuoruscito dal bordo per ottenere una perfetta aderenza all'erogatore.



INSERIMENTO DEL PORTA-FILTRO

1. Posizionare il porta-filtro sotto l'erogatore, tirare indietro la clip di ritenzione del filtro e appoggiare il porta-filtro all'erogatore.
2. Posizionare il manico del porta-filtro in modo da farlo allineare al simbolo del lucchetto aperto " " sull'unità e inserirlo nella scanalatura.
3. Girarlo lentamente verso destra fino a quando la clip di ritenzione del filtro è allineata con il simbolo del lucchetto chiuso " " sull'unità.





POSIZIONAMENTO DELLA TAZZINA (O DELLE TAZZINE)

1. Estrarre il vassoio di regolazione dell'altezza se si usa una tazzina da caffè (demitasse).
2. Lasciare il vassoio di regolazione dell'altezza nel suo scomparto se si usa una tazza più grande per preparare il cappuccino.
3. Lasciare il vassoio di regolazione dell'altezza nel suo scomparto se si usa una tazza più grande per preparare il latte macchiato.

ATTENZIONE: Prima di preparare il cappuccino o il latte macchiato, assicurarsi di regolare la leva del tubo della schiuma per posizionare il tubo di erogazione del latte all'interno della tazza da utilizzare.

ACCENSIONE DELL'UNITÀ

1. Assicurarsi che l'unità sia collegata alla presa di corrente.
2. Accendere l'unità portando l'interruttore di accensione su "I".

Le tre spie sul pannello di controllo lampeggeranno durante il riscaldamento, fino a quando l'acqua avrà raggiunto la temperatura ideale. Quando le spie avranno smesso di lampeggiare, l'unità sarà pronta per l'uso.

SCELTA DELLA BEVANDA

PREPARAZIONE DELL'ESPRESSO

1. Premere il pulsante "Espresso" una volta per erogare una singola dose.
2. Premere il pulsante "Espresso" due volte per erogare una doppia dose.
3. Tenere premuto il pulsante "Espresso" per 3 secondi per regolare l'erogazione secondo le proprie preferenze. Al raggiungimento della quantità desiderata, premere nuovamente il pulsante "Espresso" per arrestare l'erogazione.

L'unità inizierà a erogare l'espresso in base alla scelta effettuata. L'unità si spegnerà automaticamente e le spie resteranno accese a indicare che il ciclo è stato completato. Adesso l'espresso è pronto per la degustazione.

N.B.: Per erogare meno caffè della dose preimpostata, premere il pulsante per interrompere l'erogazione al raggiungimento della quantità di caffè desiderata.

PREPARAZIONE DEL CAPPUCCINO

Prima di preparare il cappuccino, regolare la quantità di schiuma secondo le proprie preferenze, ruotando la manopola di controllo della schiuma verso destra per avere più schiuma e verso sinistra per averne meno.

N.B.: La densità della schiuma si può regolare durante l'erogazione.

1. Premere il pulsante "Cappuccino" una volta per preparare una tazza di cappuccino piccola.
2. Premere il pulsante "Cappuccino" due volte per preparare una tazza di cappuccino grande.

L'unità inizierà a preparare il cappuccino secondo la selezione effettuata. Adesso il cappuccino è pronto per la degustazione.



PREPARAZIONE DEL LATTE MACCHIATO

Prima di preparare il latte macchiato, regolare la quantità di schiuma secondo le proprie preferenze girando la manopola di erogazione della schiuma a destra per più schiuma e a sinistra per meno schiuma.

1. Premere una volta il pulsante "Latte" per preparare una tazza di latte macchiato piccola.
2. Premere due volte il pulsante "Latte" per preparare una tazza di latte macchiato grande.

PREPARAZIONE DELLA SCHIUMA DI LATTE

L'unità permette anche di preparare solo schiuma di latte. Tenere premuto il pulsante "Cappuccino" per 3 secondi se si desidera aggiungere più schiuma alla bevanda o preparare la schiuma di latte per qualsiasi altra bevanda, ad esempio un caffè macchiato, una cioccolata calda, un chai latte ecc. Al termine, premere nuovamente il pulsante "Cappuccino" per arrestare l'erogazione.

DOPO AVER PREPARATO LE BEVANDE CON IL LATTE

Dopo aver preparato la bevanda con il latte, si può conservare il serbatoio del latte direttamente in frigorifero per poterlo riutilizzare alla prima occasione o smaltire il latte avanzato.

INTRODUZIONE

ESPRESSO

Un metodo unico di preparazione del caffè tramite percolazione di acqua calda ad alta pressione di una miscela a grana fine. Molto popolare in Europa, è molto più ricco e corposo del normale caffè a gocciolamento. In virtù di queste caratteristiche, l'espresso è solitamente servito in tazzine da 44 a 59 ml dette anche demitasse.

CAPPUCCINO

Bevanda composta da 1/3 di espresso, 1/3 di latte montato a vapore e 1/3 di schiuma di latte.

LATTE MACCHIATO

Bevanda composta da 1/4 di espresso e 3/4 di latte montato a vapore. Leggere attentamente TUTTE le istruzioni, le precauzioni, le note e le avvertenze in questo manuale prima di iniziare a usare quest'apparecchio. Quando si usa quest'apparecchio, alcune parti e accessori si scaldano e si devono far raffreddare. Con la dovuta attenzione e una corretta manutenzione questa macchina automatica per espresso, cappuccino e latte macchiato può funzionare a lungo senza problemi. Conservare queste istruzioni e consultarle per avere indicazioni su pulizia e manutenzione.



INATO PER MACCHINE PER CAFFÈ ESPRESSO

Non usare caffè torrefatto con aggiunta di zucchero (torrefacto), macinato o in chicchi, perché intasa il filtro e danneggia l'apparecchio. Se si è accidentalmente usato caffè torrefatto con aggiunta di zucchero, smettere di usare l'apparecchio e portarlo al più vicino centro di assistenza per eseguire la manutenzione. Si consiglia di decalcificare periodicamente la macchina per mantenerla in buone condizioni. Contattare i nostri centri di assistenza per saperne di più.

PULIRE IL SERBATOIO DEL LATTE E IL TUBO DELLA SCHIUMA

Anche se è possibile conservare il serbatoio del latte con il latte avanzato nel frigorifero, è importante pulire regolarmente il serbatoio e il tubo della schiuma per evitare intasamenti e l'accumulo di residui. Per pulire il serbatoio del latte, seguire queste istruzioni:

1. Togliere il serbatoio del latte dall'unità
2. Togliere il coperchio del serbatoio.
3. Sversare il latte avanzato, sciacquare e lavare accuratamente il serbatoio del latte e il relativo coperchio con acqua calda e sapone. Risciacquare e asciugare bene. Non usare detergenti aggressivi o spugne abrasive, per non graffiare la finitura. Il serbatoio del latte si può lavare anche in lavastoviglie (nel ripiano superiore). Non mettere il coperchio del serbatoio del latte nella lavastoviglie.
4. Mettere una tazza vuota sotto il tubo della schiuma.
5. Tenere premuto il pulsante "Latte/Clean" per 3 secondi e poi rilasciarlo. Dal tubo della schiuma inizierà a uscire vapore; lasciarlo uscire per alcuni secondi fino a quando non si vedranno più tracce di latte nella tazza. Al termine, premere una volta il pulsante "Latte/Clean" per arrestare il processo.
6. Smaltire l'acqua rimasta nel serbatoio del latte e reinserirlo nell'unità.

PULIZIA DELL'EROGATORE, DEL PORTA-FILTRO E DEL FILTRO

1. Spegner l'unità portando l'interruttore di accensione laterale in posizione "O" e scollegare il cavo di alimentazione dalla presa elettrica.
2. Alcune delle parti metalliche potrebbero essere ancora calde. Non toccarle con le mani finché non si sono raffreddate.
3. Rimuovere il porta-filtro e smaltire i fondi di caffè o la cialda usata. Lavare porta-filtro e filtro con acqua calda e sapone e sciacquarli per bene. Non lavare il porta-filtro o i filtri in lavastoviglie.
4. Pulire la parte inferiore dell'erogatore con un panno umido o un tovagliolo di carta per rimuovere i fondi di caffè che potrebbero esservi depositati.
5. Reinserrire il porta-filtro (senza filtro) nell'erogatore.
6. Posizionare una tazza vuota sotto il porta-filtro.
7. Premere una volta il pulsante "Espresso" e far uscire solo acqua finché l'unità non si ferma automaticamente.

PULIZIA DEL SERBATOIO DELL'ACQUA

Eliminare l'acqua rimasta togliendo il serbatoio e capovolgendolo nel lavandino. Si raccomanda di svuotare periodicamente il serbatoio dell'acqua. Lavare il serbatoio dell'acqua con acqua e sapone, risciacquarlo per bene e asciugarlo. Il serbatoio dell'acqua si può lavare anche in lavastoviglie.



PULIZIA DELL'UNITÀ

1. Pulire l'apparecchio con un panno morbido e umido. Non usare detergenti aggressivi o spugne abrasive, per non graffiare la finitura.
2. Non lasciare il porta-filtro nell'erogatore per non compromettere la tenuta tra porta-filtro ed erogatore durante l'erogazione dell'espresso.

ATTENZIONE: Non immergere l'apparecchio in acqua.

DECALCIFICAZIONE

I depositi minerali che si accumulano nell'unità influiscono sul suo funzionamento. Decalcificare l'apparecchio appena si notano un aumento del tempo necessario per l'erogazione dell'espresso, un'eccessiva formazione di vapore o anche un accumulo di depositi bianchi sulla superficie dell'erogatore. La frequenza della pulizia dipende dalla durezza dell'acqua utilizzata. La tabella seguente riporta gli intervalli di pulizia suggeriti.

Tipo di acqua	Frequenza di pulizia
Tipo di acqua	Ogni 80 cicli di erogazione
Acqua dura (acqua del rubinetto)	Ogni 40 cicli di erogazione

DECALCIFICAZIONE DEL SERBATOIO DELL'ACQUA:

1. Riempire il serbatoio con aceto bianco per uso domestico fresco e non diluito.
2. Lasciare per una notte la soluzione di aceto nel serbatoio dell'acqua.
3. Eliminare l'aceto togliendo il serbatoio e capovolgendolo nel lavandino.
4. Sciacquare bene il serbatoio dell'acqua con acqua di rubinetto riempiendolo per metà con acqua e poi sversando l'acqua nel lavandino; ripetere due volte questa operazione.

DECALCIFICAZIONE DELLE PARTI INTERNE:

1. Assicurarsi di decalcificare prima l'interno del serbatoio dell'acqua seguendo la procedura di decalcificazione descritta sopra.
2. Assicurarsi di spegnere l'unità portando l'interruttore di accensione in posizione "O" e scollegando il cavo di alimentazione dalla presa elettrica. Riempire il serbatoio con aceto bianco al di sopra della tacca del minimo sul serbatoio.
3. Inserire il porta-filtro (con filtro e senza caffè) e mettere un barattolo, un bricchetto o una tazza normale sopra la vaschetta di raccolta e sotto il porta-filtro.
4. Inserire il cavo di alimentazione nella presa elettrica.
5. Portare l'interruttore di accensione su "I" per accendere l'unità e, appena le 3 spie sul pannello di controllo diventano blu fisso, premere due volte il pulsante "Espresso/Custom". L'aceto comincerà a uscire e l'erogazione si fermerà poi automaticamente.
6. Posizionare un bricco o una tazza grande (da almeno 325 ml) sotto il tubo. Riempire

- il serbatoio del latte con acqua e rimetterlo sull'unità. Ruotare la manopola di controllo della schiuma in senso orario fino alla posizione di pulizia " ", quindi premere il pulsante "Latte/Clean" per 3 secondi per avviare il processo di pulizia. Far uscire l'acqua dal tubo per circa 30 secondi e poi premere il pulsante "Latte/Clean" per arrestare il processo.
- Se necessario, ripetere eventualmente i passaggi da 1 a 7 usando solo acqua di rubinetto per sciacquare via eventuali tracce residue di aceto dalla macchina.

DIAGNOSTICA

PROBLEMA	CAUSE	SOLUZIONI
Il caffè non esce.	Manca l'acqua nel serbatoio.	Aggiungere acqua.
	La polvere di caffè è troppo fine.	Aggiungere acqua.
	Troppo caffè nel filtro.	Mettere meno caffè nel filtro.
	L'apparecchio non era acceso o collegato.	Inserire la spina nella presa elettrica e accendere l'unità.
	Il caffè è stato pressato troppo nel filtro.	Inserire la spina nella presa elettrica e accendere l'unità.

PROBLEMA	CAUSE	SOLUZIONI
Esce del caffè dal bordo del porta-filtro.	Porta-filter not rotated to full lock position.	Ruotare il portafiltro fino alla posizione di blocco.
	Coffee grounds around the filter basket rim.	Pulire il bordo del filtro.
	Too much coffee in the filter.	Riempire con meno caffè.
Il latte non è schiumoso o non esce dal tubo della schiuma.	Il porta-filtro non è stato correttamente ruotato fino alla posizione di blocco.	Assicurarsi che ci sia abbastanza acqua nel serbatoio.
	Ci sono fondi di caffè sul bordo del cestello del filtro.	Assicurarsi che ci sia abbastanza acqua nel serbatoio.
	Troppo caffè nel filtro.	Seguire le istruzioni per pulire i serbatoi del latte e il tubo della schiuma.
Il caffè esce troppo in fretta.	Non c'è più vapore.	Usare caffè a grana più fine.
	Il latte non è abbastanza freddo.	Usare più caffè.
Il caffè è troppo lento.	Il tubo della schiuma è intasato.	Usa il filtro grande per un espresso doppio.
	La grana del caffè è troppo grossa.	Aggiungere acqua al serbatoio.
Le tre luci sul pannello di controllo lampeggiano alternativamente.	Non c'è abbastanza caffè nel filtro.	Aggiungere acqua al serbatoio.



SMALTIMENTO ECOCOMPATIBILE

Proteggiamo l'ambiente!

Rispettare le norme locali per lo smaltimento dei rifiuti: consegnare le apparecchiature elettriche non funzionanti a un centro di raccolta dedicato.

MEDIDAS DE SEGURIDAD IMPORTANTES

Siempre que se utiliza un aparato eléctrico, es preciso respetar unas precauciones de seguridad básicas para reducir el riesgo de incendio, descarga eléctrica o lesiones a personas, entre las que se encuentran las siguientes:

1. Lea todas las instrucciones.
2. Asegúrese de que la tensión de la toma eléctrica se corresponde con la indicada en la etiqueta de características de la cafetera.
3. Para evitar llamas, descargas eléctricas y lesiones a personas, no permita que el cable, el enchufe o el aparato se mojen con agua ni con ningún otro líquido.
4. Se requiere una estrecha supervisión cuando un menor vaya a utilizar el aparato, o si se va a utilizar cerca de uno.
5. Desenchúfelo de la toma cuando no lo vaya a utilizar y antes de limpiarlo. Deje que se enfríe el aparato antes de ponerle o quitarle piezas, y antes de limpiarlo.
6. No utilice el aparato si tiene el enchufe o el cable de alimentación deteriorado, o si no funciona bien o presenta cualquier tipo de daño. Devuelva el aparato a un servicio autorizado de asistencia para su examen, reparación o ajuste.
7. El uso de accesorios no recomendados por el fabricante del aparato puede causar incendios, descargas eléctricas o lesiones a personas.
8. Para desconectarlo, apáguelo y luego desenchúfelo.
9. No toque las superficies calientes, utilice asas o mandos.
10. No utilice este aparato en exteriores ni con fines comerciales.
11. No deje el cable colgando por el borde de una mesa o encimera, ni que toque superficies calientes.
12. Use el aparato sobre una superficie dura, plana y nivelada para evitar la interrupción del flujo de aire por la parte inferior.
13. Antes de encender el aparato, asegúrese siempre de ajustar de nuevo en su sitio el depósito de agua con la tapa cerrada y con un nivel de agua por encima del mínimo.
14. No extraiga el portafiltros mientras está preparando café. Asegúrese de que

las tres luces están iluminadas antes de retirar el portafiltros para hacer más café. Además, es preciso que tenga cuidado al extraer el portafiltros porque los elementos metálicos pueden estar calientes. Asegúrese de sujetarlo por el asa y de utilizar la pinza de retención del filtro para desechar los restos. Debe tener cuidado al desplazar el aparato con líquidos calientes.

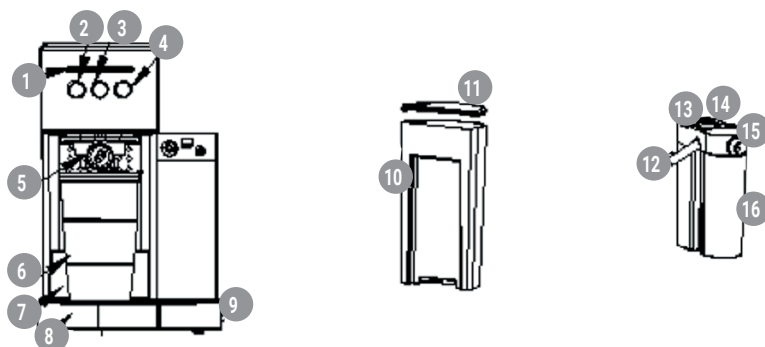
15. No quite el depósito de agua antes de apagar el aparato.
16. Este aparato no se ha concebido para manejarse mediante temporizadores externos o sistemas de control remoto independientes.
17. Este aparato pueden usarlo los menores a partir de 8 años de edad y personas con las capacidades físicas, sensoriales o mentales reducidas, o que carezcan de experiencia y conocimientos, siempre que sea bajo supervisión o hayan recibido instrucciones sobre el uso seguro del aparato y entienden los peligros que conlleva. No permita que los niños jueguen con este aparato. Los menores no podrán limpiar ni mantener el aparato salvo que sean mayores de 8 años y cuenten con la supervisión de un adulto.
18. Mantenga el aparato y su cable fuera del alcance de los menores de 8 años.
19. Antes de retirar piezas o accesorios, asegúrese de que las tres luces están encendidas, pulse el botón interruptor llevándolo a la posición «0» de apagado y desenchufe el aparato.
20. No extraiga el portafiltros en ningún momento mientras el café se está preparando.
21. Tenga cuidado al retirar el portafiltros. Las piezas metálicas pueden estar todavía muy calientes. Además, puede quedar agua caliente sobre la parte superior del filtro. Sujételo exclusivamente por su empuñadura y deseche los restos de café utilizando la pinza de retención del filtro.
22. Si no gotea café, el filtro se ha bloqueado. Apague el aparato y deje que se enfríe. El bloqueo se puede deber a utilizar un café excesivamente molido. Consulte la sección «PROBLEMAS Y CAUSAS».
23. **AL LIMPIAR EL TUBO DISPENSADOR DEL ESPUMADOR DE LECHE:** Ponga una taza grande bajo el tubo. Llene de agua el depósito de leche y vuelva a ponerlo en el aparato. Gire el botón de control del espumador hacia la derecha hasta la posición « » de limpieza y, a continuación, pulse el botón «Latte/

- Clean» durante 3 segundos y suéltelo para activar la función de limpieza. Deje que el aparato expulse agua por el tubo durante aproximadamente 30 segundos y luego pulse una vez el botón «Latte/Clean» para detener el proceso.
24. No coloque el aparato cerca de un quemador de gas o eléctrico caliente, ni lo meta en un horno caliente.
 25. No utilice el aparato para usos distintos a aquellos para los que se ha concebido.
 26. No deje un aparato eléctrico en funcionamiento desatendido.
 27. Este aparato se ha concebido para usar en el hogar y en entornos similares, como:
 - cocinas de personal en tiendas, oficinas y otros centros de trabajo;
 - casas de campo;
 - hoteles, hostales y otros entornos de tipo residencial, para los clientes;
 - alojamientos turísticos y entornos similares.
 28. Conserve estas instrucciones.

PRECAUCIÓN: PRESIÓN

Para evitar posibles quemaduras en las distintas partes del cuerpo y otras lesiones provocadas por vapor y agua caliente, o que se produzcan daños en el aparato, nunca retire el depósito de agua ni el portafiltros mientras la cafetera está preparando café o espumando leche. Asegúrese de que las tres luces están iluminadas antes de retirar el portafiltros para hacer más tazas de café. Si es preciso añadir más agua o leche a los depósitos, asegúrese de que las tres luces están encendidas y apague el aparato presionando el botón rojo situado en el lateral para llevarlo a la posición «0».

UW KOFFIEMACHINE LEREN GEBRUIKEN



1	Indicador	9	Interruptor
2	Botón «Espresso»	10	Depósito de agua extraíble
3	Botón «Cappuccino»	11	Tapa del depósito de agua
4	Botón «Latte»	12	Tubo dispensador del espumador de leche
5	Portafiltros	13	Palanca del tubo del espumador
6	Taza de viaje	14	Botón de control del espumador
7	Cajón de ajuste de la altura de la taza	15	Tapa del depósito de leche
8	Bandeja de goteo	16	Depósito de leche limpia/extraíble

ANTES DEL PRIMER USO

Limpieza y preparación del aparato antes del primer uso.

Consulte la sección «Descripción de la cafetera» para familiarizarse con el producto e identificar todos los componentes.

1. Asegúrese de que el aparato está apagado, en la posición «O», pulsando el interruptor situado en el lateral. Asegúrese también de que está desenchufado.
2. Retire los adhesivos y etiquetas del aparato.
3. En primer lugar extraiga y, a continuación, lave el depósito de agua, el depósito de leche, el portafiltros, los tres filtros y el cacito de medida con una mezcla de agua y detergente suave. Enjuague a fondo todos los componentes y vuelva a colocarlos en el aparato.

4. Consulte la sección «COLOCACIÓN DEL PORTAFILTROS» de las instrucciones antes de poner o quitar el portafiltros y los filtros del aparato.
5. Para limpiar el interior del aparato, siga los pasos indicados en la sección «PREPARACIÓN DE CAPUCHINO», empleando agua en ambos depósitos y sin café en el filtro. No sumerja el aparato en agua ni intente acceder a sus componentes internos.

NOTA: Para que el aparato funcione adecuadamente con el paso del tiempo, límpielo después de cada uso.

IMPORTANTE – PREPARACIÓN DEL APARATO

Para preparar el aparato, haga funcionar el ciclo de vapor durante 90 segundos siguiendo los pasos que se indican a continuación:

1. Llene el depósito de agua entre los niveles «Min» y «Max».
2. Llene de agua el depósito de leche entre los niveles «Min» y «Max».
3. Seleccione uno de los filtros y colóquelo en el portafiltros. Ponga el portafiltros en el aparato asegurándose de que quede adecuadamente bloqueado y sitúe una taza debajo. Además, asegúrese de que la punta del tubo dispensador del espumador de leche queda dentro de la taza.
4. Enchufe el aparato a la toma de corriente adecuada.
5. Encienda el aparato llevando el interruptor a la posición «I».
6. Las tres luces del panel de control empezarán a parpadear. Una vez que estas luces queden encendidas de modo continuo, pulse dos veces el botón «Cappuccino».
7. Cuando se haya completado el proceso, las tres luces del panel de control lucirán de modo continuo.

El aparato ya está preparado y está listo para su uso.

SELECCIÓN DE LA TAZA ADECUADA

Antes de preparar el café, asegúrese de elegir la taza de tamaño correcto de acuerdo con la siguiente tabla:

Dosis de café de barista		
Espresso	Una taza	60 ml (2oz)
	Doble o dos tazas	119 ml (4oz)
Cappuccino	Una taza	178 ml (6oz)
	Doble o dos tazas	355 ml (12oz)
Latte	Una taza	296 ml (10oz)
	Doble o dos tazas	474 ml (16oz)



SELECCIÓN DEL CAFÉ ADECUADO

EL CAFÉ

El café debe ser recién molido y de tono tostado oscuro. Puede preparar un espresso con café molido y tostado al estilo continental o al italiano. El café previamente molido solo retendrá su aroma durante 7 u 8 días, siempre que se haya guardado en un recipiente hermético y en un lugar fresco y oscuro. No lo deje en refrigerador o nevera. Se recomienda moler los granos enteros inmediatamente antes de su consumo. Los granos de café guardados en un recipiente hermético conservarán su aroma durante hasta 4 semanas.

EL MOLIDO

EL MOLIDO

Se trata de una etapa fundamental en el proceso de elaboración de un espresso cuando se muele el grano propio y requiere práctica. El café se debe moler fino. El tamaño correcto debe ser similar al de la sal.

Si se muele demasiado fino el agua no fluirá a través del café, ni siquiera estando a presión. Este tipo de molienda presenta aspecto pulverulento y la sensación cuando se coge con los dedos es parecida a la de la harina. Si el grano se muele demasiado grueso el agua fluye a través del café demasiado rápido, sin que se produzca una extracción completa de los aromas. Asegúrese de utilizar un molino de buena calidad para lograr una consistencia uniforme.

INSTRUCCIONES DE FUNCIONAMIENTO

LLENADO DEL DEPÓSITO DE AGUA

1. Llene el depósito con agua, usando una jarra para su vertido o extrayendo el depósito del aparato para llenarlo bajo el grifo. Si lo ha retirado del aparato para llenarlo de agua, asegúrese de volver a ponerlo correctamente en su sitio. Llene el depósito con la cantidad de agua deseada asegurándose de que el nivel quede entre las marcas «Min» y «Max». No utilice nunca agua templada o caliente para llenar el depósito de agua.
2. Cierre la tapa del depósito de agua y colóquelo de nuevo en el aparato verificando que está firmemente ajustado.

LLENADO DEL DEPÓSITO DE LECHE

Si va a preparar un café capuchino o latte, extraiga el depósito de leche del aparato y abra la tapa; a continuación, vierta la cantidad de leche fría que considere necesaria entre los niveles «Min» y «Max». Hecho esto, vuelva a colocar el depósito de nuevo en el aparato verificando que está firmemente ajustado.

Nota: Puede utilizar el tipo de leche que prefiera, esto es leche entera, desnatada, ecológica o de soja.



SELECCIONE EL FILTRO

Seleccione así el filtro que va a utilizar:

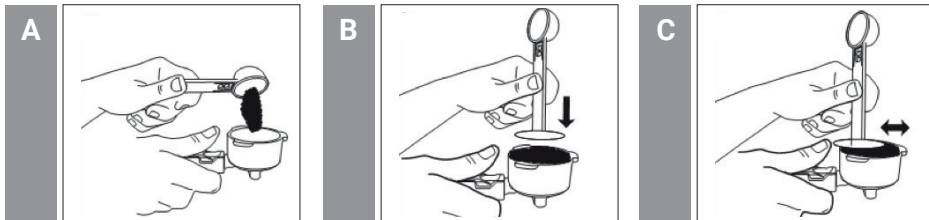
1. PARA UNA SOLA TAZA – Utilice el filtro para una sola taza de espresso si emplea café molido.
2. PARA UNA TAZA DOBLE O DOS TAZAS – Utilice el filtro para un café doble.

LLENADO DE CAFÉ

Coloque el filtro seleccionado en el portafiltros del siguiente modo:

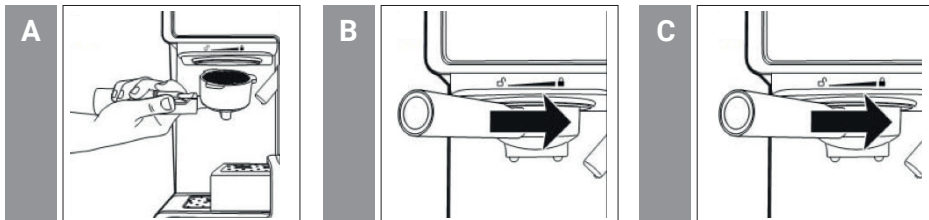
PARA CAFÉ MOLIDO:

1. Llene el filtro con café espresso nuevo y molido fino (no llene en exceso).
2. Aplaste y preñse firme y uniformemente el café molido.
3. Retire el exceso de café que sobresale del borde para garantizar un ajuste adecuado en el cabezal.



COLOCACIÓN DEL PORTAFILTROS

1. Sitúe el portafiltros bajo el cabezal y acóplelo desplazando antes la pinza de retención hacia atrás.
2. Coloque el asa de modo que quede alineada con el icono del candado abierto « » del aparato y que ajuste en la ranura.
3. A continuación, gírelo lentamente hacia la derecha hasta que la pinza de retención quede alineada con el símbolo del candado cerrado « » del aparato.



COLOCACIÓN DE LAS TAZAS

1. Extraiga la bandeja de ajuste de la altura si está utilizando una taza «demitasse» pequeña para preparar un espresso.
2. Deje la bandeja de ajuste de altura dentro de su compartimento si está utilizando una taza grande para la preparación de un capuchino.
3. Deje la bandeja de ajuste de altura dentro de su compartimento si está utilizando una taza grande para la preparación de un latte.

PRECAUCIÓN: Al preparar un café capuchino o latte, asegúrese de ajustar la palanca del tubo del espumador de leche para situar dicho tubo en el interior de la taza que va a utilizar.

ENCENDIDO DEL APARATO

1. Asegúrese de que el aparato está enchufado.
2. Lleve el interruptor a la posición «I» de encendido.

Las tres luces del panel de control parpadearán durante el calentamiento hasta que el agua alcance la temperatura exacta. Cuando estas luces se iluminen de modo continuo, el aparato está listo para su uso.

SELECCIONE LA FUNCIÓN

PREPARACIÓN DE UN ESPRESSO

1. Pulse una vez el botón «Espresso» para preparar una taza de café.
2. Pulse dos veces el botón «Espresso» para preparar un café doble.
3. Mantenga pulsado el botón «Espresso» durante 3 segundos para adaptar la preparación a sus preferencias. Cuando lo haya hecho, pulse de nuevo una vez el botón «Espresso» para detener la preparación.

El aparato comenzará a verter el café de acuerdo con sus preferencias. El aparato se apagará automáticamente, y las luces quedarán encendidas de modo continuo indicando que el ciclo ha finalizado. Ya puede disfrutar de un delicioso café espresso.

NOTA: Si quiere preparar un café más corto que la función preseleccionada, pulse el botón de función para detener el proceso de preparación al llegar a la cantidad de café deseada.

PREPARACIÓN DE UN CAPUCHINO

Antes de proceder a la preparación del capuchino, ajuste la cantidad de leche espumada según sus preferencias girando el botón de control del espumador hacia la derecha si desea más espuma o hacia la izquierda si desea menos espuma.

NOTA: La intensidad de la espuma se puede ajustar durante el ciclo de preparación.

1. Pulse una vez el botón «Cappuccino» para preparar una taza pequeña de capuchino.
 2. Pulse dos veces el botón «Cappuccino» para preparar una taza grande de capuchino.
- El aparato comenzará a verter el café de acuerdo con sus preferencias. Ya puede disfrutar de un delicioso café capuchino.

PREPARACIÓN DE UN LATTE

Antes de proceder a la preparación del latte, ajuste la cantidad de leche espumada según sus preferencias girando el botón de control del espumador hacia la derecha si desea más espuma o hacia la izquierda si desea menos espuma.

1. Pulse una vez el botón «Latte» para preparar una taza pequeña de latte.
2. Pulse dos veces el botón «Latte» para preparar una taza grande de latte.

PREPARACIÓN DE LECHE ESPUMADA

Con este aparato también podrá preparar solo leche espumada. Mantenga pulsado el botón «Cappuccino» durante 3 segundos si desea añadir más espuma a su café o preparar leche espumada para cualquier otra bebida, p. ej. macchiato, chocolate caliente, té chai latte, etc. Una vez hecho, pulse de nuevo una vez el botón «Cappuccino» para detener la preparación.

DESPUÉS DE PREPARAR BEBIDAS CON LECHE

Cuando haya terminado de preparar bebidas con leche, puede guardar el depósito de leche del aparato directamente en el refrigerador (listo para su uso la siguiente ocasión) o desechar la leche sobrante.

INTRODUCCIÓN

ESPRESSO

Se trata de un exclusivo método de preparación de café, en el que se fuerza el paso de agua caliente a través de un café finamente molido. Popular en Europa, es un café mucho más intenso y más denso que el café filtrado habitual. Debido a su intensidad, el espresso se sirve normalmente en tazas de 44 a 59 ml, de tipo «demitasse».

CAPUCHINO

Es un café elaborado aproximadamente con 1/3 de espresso, 1/3 de leche hervida y 1/3 de espuma de leche.

LATTE

Se trata de un café elaborado aproximadamente con 1/4 de espresso y 3/4 de leche hervida. Lea atentamente TODAS las instrucciones, precauciones, notas y advertencias incluidas en este manual de instrucciones antes de empezar a utilizar este aparato. Al usar el aparato se calientan algunos componentes y accesorios, y es necesario dejar que se enfríen. El cuidado y el mantenimiento adecuados garantizarán una vida útil prolongada de la cafetera para espresso, capuchino y latte, y evitarán problemas en su funcionamiento. Conserve estas instrucciones y consúltelas a menudo para revisar las sugerencias sobre limpieza y cuidado.

USO CORRECTO DEL CAFÉ MOLIDO PARA LA CAFETERA DE ESPRESSO

No utilice café torrefacto molido ni café torrefacto en grano, si lo hace se atascará el filtro y se dañará el aparato. Si utiliza accidentalmente café torrefacto, detenga el aparato y llévelo al centro de asistencia más próximo para su revisión. Le recomendamos descalcificar la máquina periódicamente para mantenerla en condiciones óptimas de funcionamiento. Póngase en contacto con nuestros centros de asistencia para conocer los detalles de este proceso.

LIMPIEZA DEL DEPÓSITO DE LECHE Y DEL TUBO DE ESPUMADO

Aunque puede guardar en el refrigerador el depósito de leche con leche sobrante, es importante limpiar con regularidad el depósito y el tubo del espumador para evitar obturaciones y la acumulación de residuos. Para limpiar el depósito de leche, siga las instrucciones que se indican a continuación:

1. Retire el depósito de leche del aparato.
2. Quite la tapa del depósito.
3. Vierta la leche que contenga y enjuague y lave a fondo el depósito y su tapa con agua tibia jabonosa. Aclare y seque bien. No utilice estropajos ni discos abrasivos, ya que causarán arañazos en la superficie. El depósito de leche también se puede lavar en el lavavajillas (en la bandeja superior). No meta la tapa del depósito de leche en el lavavajillas.
4. Ponga una taza grande vacía bajo el tubo del espumador.
5. Mantenga pulsado el botón «Latte/Clean» durante 3 segundos y, a continuación, suéltelo. El aparato empezará a expulsar vapor a través del tubo del espumador; deje que lo haga durante unos instantes hasta que vea que no se vierte leche en la taza. Una vez hecho, pulse de nuevo una vez el botón «Latte/Clean» para detener el proceso.
6. Tire el agua restante que pueda contener el depósito de leche y vuelva a colocarlo en el aparato.

LIMPIEZA DE CABEZAL, PORTAFILTROS Y FILTRO

1. Lleve el interruptor situado en el lateral del aparato a la posición «O» de apagado y desenchufe el cable de la toma eléctrica.
2. Algunas de las piezas metálicas pueden estar todavía calientes. No las toque con las manos hasta que se hayan enfriado.
3. Retire el portafiltros y deseche el residuo de café o la cápsula usada. Lave tanto el portafiltros como el filtro con agua templada y jabón y aclárelos bien. No lave el portafiltros ni los filtros en el lavavajillas.
4. Limpie la parte inferior del cabezal de la unidad con un paño húmedo o una toallita de celulosa para eliminar cualquier resto de café que pueda haber quedado.
5. Vuelva a colocar el portafiltros (sin filtro) de nuevo en el cabezal del aparato.
6. Ponga una taza grande vacía bajo el portafiltros.
7. Pulse una vez el botón «Espresso» y deje que la unidad funcione solo con agua hasta que se detenga automáticamente.



LIMPIEZA DEL DEPÓSITO DE AGUA

Deseche el agua restante retirando el depósito y poniéndolo boca abajo sobre el fregadero. Se recomienda vaciar el depósito de agua después de cada uso. Lave el depósito de agua con agua y jabón, aclárelo bien y séquelo. El depósito de agua también es apto para su lavado en el lavavajillas.

LIMPIEZA DEL APARATO

1. Limpie la carcasa con un paño suave humedecido. No utilice estropajos ni limpiadores abrasivos, ya que causarán arañazos en la superficie.
2. No guarde el portafiltros en el cabezal. Si lo hace puede deteriorar la estanqueidad entre el cabezal y el portafiltros al preparar el café espresso.

PRECAUCIÓN: No sumerja el aparato en agua.

DESCALCIFICACIÓN

La acumulación de depósitos minerales en el aparato afectará a su funcionamiento. Es preciso que proceda a su descalcificación cuando comience a notar que se prolonga el tiempo necesario para preparar un espresso, o cuando se produzca excesivo vapor. También puede percibir una acumulación de depósitos blancos en la superficie del cabezal. La frecuencia de limpieza depende de la dureza del agua empleada. En la siguiente tabla se indican los intervalos de limpieza sugeridos.

Tipo de agua	Frecuencia de limpieza
Agua blanda (agua filtrada)	Cada 80 ciclos de preparación
Agua dura (agua de grifo)	Cada 40 ciclos de preparación

DESCALCIFICACIÓN DEL DEPÓSITO DE AGUA:

1. Llene el depósito de vinagre blanco de limpieza sin diluir.
2. Deje reposar el aparato toda la noche con el vinagre en el depósito de agua.
3. Deseche el vinagre retirando el depósito y poniéndolo boca abajo sobre el fregadero.
4. Enjuague a fondo el depósito de agua con agua del grifo llenando el depósito hasta la mitad y vertiendo luego el agua en el fregadero. Repita este paso dos veces.

DESCALCIFICACIÓN DE LOS COMPONENTES INTERNOS:

1. En primer lugar, proceda a descalcificar el interior del depósito de agua ejecutando los pasos del apartado anterior.
2. Asegúrese de llevar el interruptor a la posición «O» de apagado y de desenchufar el cable de la toma eléctrica. Llene el depósito con vinagre blanco por encima de su nivel mínimo.
3. Introduzca el portafiltros (con filtro y sin café) y ponga una jarra/recipiente o una taza normal sobre la bandeja de goteo debajo del portafiltros.



4. Enchufe el cable de alimentación a la toma eléctrica.
5. Pulse el interruptor para encender el aparato (posición «I») y, cuando las tres luces azules del panel de control están encendidas de modo continuo, pulse dos veces el botón «Espresso/Custom». El vinagre comenzará a discurrir a través del aparato, que se detendrá automáticamente.
6. Coloque una jarra o una taza grande (de capacidad superior a 325 ml bajo el tubo. Llene de agua el depósito de leche y vuelva a ponerlo en el aparato. Gire el botón de control del espumador hacia la derecha hasta la posición « » de limpieza y, a continuación, pulse el botón «Latte/Clean» durante 3 segundos para activar la función de limpieza. Deje que el aparato expulse agua por el tubo durante aproximadamente 30 segundos y luego pulse una vez el botón «Latte/Clean» para detener el proceso.
7. Repita los pasos del 1 al 7 si es necesario utilizando solo agua del grifo para enjuagar cualquier traza restante de vinagre del aparato.

PROBLEMAS Y CAUSAS

PROBLEMA	CAUSAS	SOLUCIONES
No sale café.	No hay agua en el depósito.	Agregue agua.
	El café se ha molido demasiado fino.	Muela el café hasta un tamaño medio.
	Hay demasiado café en el filtro.	Llene el filtro con menos café.
	El aparato no estaba encendido o no estaba enchufado.	Enchufe el aparato en la toma eléctrica y enciéndalo.
	El café está demasiado prensado/comprimido.	Vuelva a llenar la cesta del filtro con café y no lo comprima demasiado.

PROBLEMA	CAUSAS	SOLUCIONES
Sale café alrededor del borde del portafiltros.	La leche no sale espumada del espumador o no sale por el tubo del espumador.	Gire el portafiltros totalmente hasta la posición de bloqueo.
	Hay café en torno al borde de la cesta del filtro.	Limpe el borde.
	Hay demasiado café en el filtro.	Llene con menos café.
La leche no sale espumada del espumador o no sale por el tubo del espumador.	Se ha agotado el vapor.	Asegúrese de que hay suficiente agua en el depósito.
	La leche no está suficientemente fría.	Enfríe la leche y la jarra para espumar antes de preparar un capuchino.
	El tubo del espumador está obturado.	Siga las instrucciones para limpiar el depósito de leche y el tubo del espumador.
El café sale demasiado rápido.	El café se ha molido demasiado grueso.	Muela el café hasta un tamaño más fino.
	No hay suficiente café en el filtro.	Utilice más café.
El café está demasiado suave.	Se ha usado un filtro pequeño para un café espresso doble.	Utilice un filtro grande para un café espresso doble.
	El café se ha molido demasiado grueso.	Agregue agua al depósito.
Las tres luces del panel de control parpadean alternativamente.	Se ha agotado el agua en el depósito.	Agregue agua al depósito.



DESECHO RESPETUOSO CON EL MEDIO AMBIENTE

¡Ayude a proteger el medio ambiente!

Recuerde respetar la normativa local: entregue los equipos eléctricos que no funcionan en el punto limpio adecuado.

VIKTIGA SÄKERHETSFÖRESKRIFTER

Vid användning av elektriska apparater, bör alltid följande grundläggande säkerhetsföreskrifter respekteras för att minska risken för brand, elektriska stötar och personskador:

1. Läs alla instruktioner.
2. Se till att uttagets spänning motsvarar den spänning som anges på kaffemaskinens märkskylt.
3. För att skydda mot brand, elektrisk stöt och personskador, sänk inte ned sladden, kontakten eller apparaten i vatten eller annan vätska.
4. Var mycket uppmärksam om apparaten används av, eller i närheten av, barn.
5. Drag ut kontakten från vägguttaget när den inte används och innan rengöring. Låt den svalna innan du sätter på eller tar av delar och innan du rengör apparaten.
6. Använd inte apparaten om sladden eller kontakten är skadad. Använd inte heller om apparaten inte fungerar korrekt eller har skadats på något sätt. Lämna apparaten till en behörig serviceverkstad så att den kan undersökas, repareras eller justeras.
7. Användning av tillbehör som inte rekommenderas av apparattillverkaren kan leda till brand, elektriska stötar eller personskador.
8. För att koppla från, flytta reglage till avstängt läge och drag sedan ur kontakten ur vägguttaget.
9. Vidrör inga heta ytor. Använd handtag eller reglage.
10. Använd inte utomhus eller för kommersiella ändamål.
11. Låt inte sladden hänga över kanten på ett bord eller arbetsyta eller vara i kontakt med heta ytor.
12. Använd endast på en hård, plan yta för att undvika att luftflödet under apparaten blockeras.
13. Se till att vattenbehållaren alltid sätts tillbaka korrekt i apparaten med stängt lock och fyll med vatten till eller över miniminivån innan apparaten slås på.
14. Ta inte bort portafiltret under kaffebyggningen. Se till att de tre lamporna lyser innan du tar bort portafiltret för att brygga mer kaffe. Försiktighet bör även iaktas när portafiltret tas bort, då metalldelarna blir heta. Håll filtret

- i handtaget och använd dess fästklämma för att kassera kaffesumpen. Försiktighet bör iakttas när apparaten flyttas med heta vätskor.
15. Ta inte bort vattenbehållaren innan apparaten har stängts av.
 16. Denna apparat är inte avsedd att användas med en extern timer eller ett separat fjärrkontrollsystem.
 17. Apparaten kan användas av barn från 8 år och uppåt och personer med nedsatt fysisk, sensorisk eller mental förmåga eller bristande erfarenhet och kunskap om de hålls under tillsyn eller har fått instruktioner om hur apparaten ska användas på ett säkert sätt och förstår riskerna. Barn får inte leka med apparaten. Rengöring och underhåll får inte utföras av barn såvida de inte är äldre än 8 år och hålls under tillsyn.
 18. Förvara apparaten och nätsladden utom räckhåll för barn som är yngre än 8 år.
 19. Innan du tar bort någon av delarna och tillbehören, se till att de tre lamporna lyser, tryck på strömbrytaren så att den är i avstängt läge "0" och dra ur apparatens kontakt.
 20. Ta inte bort portafiltret under brygningsprocessen.
 21. Var försiktig när du tar bort portafiltret. Metalldelarna kan fortfarande vara mycket heta. Det kan dessutom även finnas hett vatten som flyter på toppen av filtret. Håll endast i handtaget och kassera kaffesumpen med hjälp av filtrets fästklämma.
 22. Om kaffet inte droppar ned i koppen, är filtret blockerat. Stäng av apparaten och låt den svalna. Blockeringen kan orsakas av att kaffet är för finmalet. Se avsnittet "PROBLEM OCH ORSAKER".
 23. VID RENGÖRING AV MJÖLKSNUMMARENS UTMATNINGSRÖR: Ställ en stor kopp under röret. Fyll mjölkbehållaren med vatten och sätt tillbaka på apparaten. Vrid skumkontrollreglaget medurs till rengöringsläget ". Tryck sedan på knappen "Latte/Clean" i 3 sekunder och släpp för att aktivera rengöringsfunktionen. Låt vattnet rinna genom röret i ungefär 30 sekunder och tryck sedan på knappen "Latte/Clean" en gång för att stoppa processen.
 24. Placera inte apparaten i närheten av en varm gas- eller elspis eller i en uppvärmd ugn.

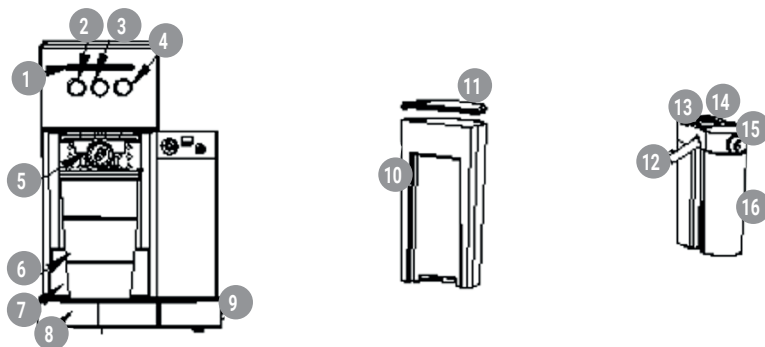
25. Använd inte apparaten för andra ändamål än den är avsedd för.
26. Lämna aldrig apparaten påslagen obevakad.
27. Den här apparaten är avsedd att användas i hemmets kök och i liknande tillämpningar såsom:
 - personalkök i butiker, på kontor eller andra arbetsplatser,
 - bondgårdar,
 - av kunder på hotell, motell eller andra logimiljöer,
 - bed and breakfast-miljöer.
28. Spara denna bruksanvisning.

OBSERVERA: TRYCK

För att undvika eventuella brännskador på kroppsdelar och/eller andra skador från het ånga och hett vatten eller skador på apparaten, ta aldrig bort vattenbehållaren eller portafiltret när espresso-/cappucinomaskinen brygger kaffe eller skummar mjölk. Se till att de tre lamporna lyser innan du kan ta bort portafiltret för att brygga fler koppar kaffe. Om du behöver tillsätta mer vatten eller mjölk till behållarna, se till att de tre lamporna lyser och stäng av enheten genom att trycka på den röda knappen på apparatens ena sida så att den är i avstängt läge "0".

LÄR KÄNNA KAFFEMASKINEN

SE



1	Indikator	9	Strömbrytare
2	Espressoknapp	10	Strömbrytare
3	Cappuccinoknapp	11	Lock vattenbehållare
4	Lattekknapp	12	Utmatningsrör skummad mjölk
5	Portafilter	13	Spak skumrör
6	Resemugg	14	Skumkontrollreglage
7	Justeringslåda kopphöjd	15	Lock mjölkbehållare
8	Dropbricka	16	Löstagbar/transparent mjölkbehållare

FÖRSTA ANVÄNDNING

Rengöring och förberedelse av apparaten innan första användning.

Se avsnittet "Lär känna kaffemaskinen" för att bekanta dig med produkten och identifiera alla delar.

1. Se till att apparaten är avstängd "0" genom att trycka på strömbrytaren som finns på apparatens ena sida. Se till att den är frånkopplad ur eluttaget.
2. Ta bort dekaler och etiketter från apparaten.
3. Ta först bort och diska vattenbehållaren, mjölkbehållaren, portafiltret, de tre filtren och måttkopa i en blandning av milt diskmedel och vatten. Skölj varje del noggrant och sätt tillbaka dem i apparaten.

83

4. Se instruktionerna i avsnittet "PLACERA PORTAFILTRET" innan du sätter dit eller tar bort portafiltret och filtret från apparaten.
5. För att rengöra apparatens insida, följ stegen i avsnittet "BEREDA CAPPUCCINO" med vatten i båda behållarna och utan kaffe i filtret. Sänk inte ned apparaten i vatten eller försök inte att nå någon av dess inre delar.

OBS: Rengör apparaten efter varje användning för att den ska fortsätta att fungera korrekt.

VIKTIGT – FÖRBERED APPARATEN

För att förbereda apparaten, följ stegen nedan för att köra ångcykeln i 90 sekunder:

1. Fyll vattenbehållaren mellan nivåerna "Min" och "Max".
2. Fyll mjölkbehållaren med vatten mellan nivåerna "Min" och "Max".
3. Välj ett av filtren och sätt det i portafiltret. Placera portafiltret i apparaten. Se till att det är ordentligt låst och ställ en kopp under det. Se även till att änden på utmatningsröret för skummad mjölk är i koppen.
4. Anslut apparaten till ett lämpligt uttag.
5. Flytta strömbrytaren till läge "I".
6. De tre kontrollpanellamporna börjar blinka. När dessa lampor lyser, tryck två gånger på knappen "Cappuccino".
7. När denna process är klar, lyser de tre kontrollpanellamporna.

Nu är apparaten förberedd och redo att användas.

VÄLJA RÄTT KOPP

Innan du förbereder din dryck, se till att välja rätt koppstorlek enligt följande tabell:

Caffé Barista-proportioner		
Espresso	Enkel	60 ml (2oz)
	Dubbel	119 ml (4oz)
Cappuccino	Enkel	178 ml (6oz)
	Dubbel	355 ml (12oz)
Latte	Enkel	296 ml (10oz)
	Dubbel	474 ml (16oz)



VÄLJA RÄTT KAFFE

SE

KAFFET

Kaffet bör vara nymalet och mörkrostat. Du kanske vill prova en fransk eller italiensk rostning till espresso. Förmalet kaffe behåller endast sin smak i 7-8 dagar, under förutsättning att det förvaras i en lufttät behållare på en sval, mörk plats. Förvara inte i kylskåpet eller frysen. Hela bönor rekommenderas att malas strax innan användning. Kaffebönor som förvaras i en lufttät behållare behåller sin smak i upp till fyra veckor.

MALNINGEN

Detta är ett viktigt steg i espressobrygningsprocessen om du malar ditt eget kaffe och det kräver övning. Kaffet måste vara finmalet. Rätt malning ska se ut som salt.

Om malningen är för fin, kommer vattnet inte att rinna genom kaffet, inte ens under tryck. Dessa malningar ser ut som pulver och känns som mjöl mellan fingrarna. Om malningen är för grov, rinner vattnet genom kaffet för snabbt, vilket förhindrar att kaffet får sin fulla arom. Se till att använda en kvalitetskvarn för jämn konsistens.

BRUKSANVISNING

FYLLA VATTENBEHÅLLAREN

1. Fyll behållaren med vatten. Du kan antingen använda en kanna för att fylla den eller ta bort den från apparaten och sedan fylla den under kranen. Om du har tagit bort den från enheten för att fylla med vatten, se till att du sätter tillbaka den ordentligt på sin plats. Fyll behållaren med önskad mängd vatten. Se till att vattennivån är inom markeringarna "Min" och "Max" på behållaren. Använd aldrig varmt eller hett vatten för att fylla vattenbehållaren
2. Stäng vattenbehållarens lock och sätt tillbaka den i apparaten så att den sitter ordentligt.

FFYLLA MJÖLKBEHÅLLAREN

Om du planerar att bereda en cappuccino eller latte, ta bort mjölkbehållaren från apparaten, öppna locket och häll sedan den mängd kall mjölk du uppskattar att du behöver mellan nivåerna "Min" och "Max". När du är klar, sätt tillbaka mjölkbehållaren i apparaten så att den sitter ordentligt.

Obs: Du kan använda valfri typ av mjölk, t.ex. helmjölk, lättmjölk, ekologisk mjölk eller sojamjölk.

VÄLJ FILTRET

Välj filtret som ska användas på följande sätt:

1. FÖR EN ENKEL SHOT – använd filtret för en enkel shot espresso om du använder malet kaffe
2. FÖR EN DUBBEL SHOT ELLER TVÅ ENKÖA SHOTS – använd filtret för en dubbel shot.

85

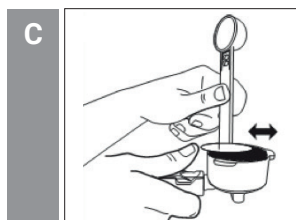
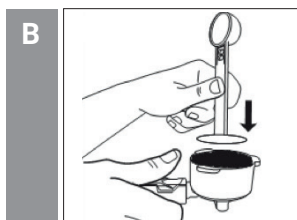
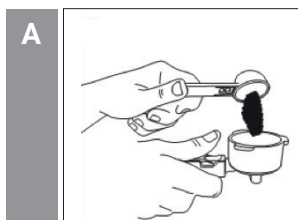


FYLLA MED KAFFE

Placera valt filter på portafiltret på följande sätt:

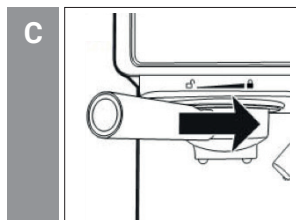
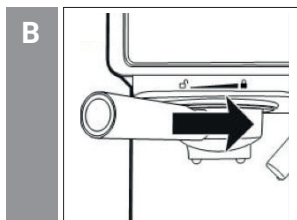
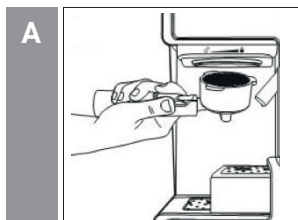
FÖR MALET KAFFE:

1. Fyll filtret med färskt, finmalet espressokaffe (överfyll inte).
2. Packa och komprimera det malda kaffet ordentligt och jämnt.
3. Ta bort överflödigt kaffe från kanten för att säkerställa att filtret kan placeras korrekt under bryghuvudet.



PLACERA PORTAFILTRET

1. Placera portafiltret under bryghuvudet, sätt fast portafiltret genom att först dra tillbaka fästklämman.
2. Placera handtaget så att det är i linje med den öppna låsikonen " " på apparaten och passar i spåret.
3. Vrid sedan långsamt åt höger tills fästklämman är i linje med den stängda låssymbolen " " på apparaten.



PLACERA KOPP(AR)

1. Drag ut höjjusteringsbrickan om du använder en liten "demitasse" kopp för att brygga espresso.
2. Förvara höjjusteringsbrickan i dess fack om du använder en större kopp för att brygga cappuccino.
3. Förvara höjjusteringsbrickan i dess fack om du använder en större kopp för att brygga latte.

OBSERVERA: När du brygger cappuccino eller latte, se till att justera skumrörets spak för att placera skummjölsröret i koppen som ska användas.

SLÅ PÅ APPARATEN

1. Kontrollera att apparaten är ansluten till elnätet.
2. Slå på apparaten (läge "I").

De tre kontrollpanellamporna börjar blinka under uppvärmningen och tills vattnet når den perfekta temperaturen. När dessa lampor lyser, är apparaten redo att användas.

VÄLJ FUNKTION

BEREDA ESPRESSO

1. Tryck på knappen "Espresso" en gång för att brygga en enkel shot.
2. Tryck på knappen "Espresso" två gånger för att brygga en dubbel shot.
3. Tryck och håll knappen "Espresso" intryckt i 3 sekunder för att anpassa bryggningen efter dina önskemål. När du är klar, tryck på knappen "Espresso" en gång.

Apparaten börjar brygga espresson enligt ditt val. Apparaten stängs av automatiskt och lamporna lyser för att indikera att cykeln har slutförts. Din goda espresso är redo att avnjutas.

OBS: För att brygga mindre kaffe än den förinställda serveringen, tryck på funktionsknappen för att stoppa bryggningsprocessen när önskad mängd kaffe uppnås.

BEREDA CAPPUCCINO

Innan du bereder din cappuccino, justera mängden skummad mjölk enligt dina önskemål genom att vrida Skumkontrollreglaget åt höger för mer skum och åt vänster för mindre skum.

OBS: Mängden skum kan justeras under bryggningscykeln.

1. Tryck på knappen "Cappuccino" en gång för att brygga en liten kopp cappuccino.
 2. Tryck på knappen "Cappuccino" två gånger för att brygga en stor kopp cappuccino.
- Apparaten börjar brygga cappuccinon enligt ditt val. Din goda cappuccino är redo att avnjutas.



BEREDA LATTE

Innan du bereder din latte, justera mängden skummad mjölk enligt dina önskemål genom att vrida Skumkontrollreglaget åt höger för mer skum och åt vänster för mindre skum.

1. Tryck på knappen "Latte" en gång för att brygga en liten kopp latte.
2. Tryck på knappen "Latte" två gånger för att brygga en stor kopp latte.

BEREDA SKUMMAD MJÖLK

Apparaten låter dig även endast bereda skummad mjölk. Tryck och håll knappen "Cappuccino" intryckt i 3 sekunder om du vill ha mer skum i din dryck eller bereda skummad mjölk för en annan dryck, t.ex. macchiato, varm choklad, chai latte, etc. När du är klar, tryck en gång på knappen "Cappuccino".

EFTER BEREDNING AV DRYCKER MED MJÖLK

När du är klar med beredningen av din dryck med mjölk, kan du antingen förvara apparatens mjölkbehållare direkt i kylskåpet (redo att användas nästa gång) eller kassera den överblivna mjölken.

INLEDNING

ESPRESSO

En unik kaffebryggningsmetod där hett vatten pressas genom finmalet kaffe. Metoden är populär i Europa, och ger en mycket rikare och fylligare bryggningsmetod än vanligt bryggkaffe. Tack vare sin rika arom, serveras espresso vanligtvis i espressokoppar med ett innehåll på 44 till 59 ml.

CAPPUCCINO

En dryck gjord på ungefär 1/3 espresso, 1/3 ångad mjölk och 1/3 skummad mjölk.

LATTE

En dryck gjord på ungefär 1/4 espresso och 3/4 ångad mjölk. Läs ALLA instruktioner, säkerhetsföreskrifter, anteckningar och varningar i denna bruksanvisning noggrant innan du börjar använda denna apparat. När apparaten används, blir vissa delar och tillbehör heta och behöver svalna. Rätt skötsel och underhåll kommer att säkerställa den automatiska espresso-, cappuccino- och lattesmaskinens långa livslängd och problemfria drift. Spara denna bruksanvisning och hänvisa ofta till dem för rengörings- och skötseltips.

KORREKT ANVÄNDNING AV MALET KAFFE FÖR ESPRESSO-MASKIN

Använd inte sockerrostat malet kaffe eller sockerrostade kaffeböner, då dessa kommer att täppa igen filtret och skada apparaten. Om sockerrostat kaffe används av misstag, sluta använda apparaten och ta med den till närmaste servicecenter för underhåll. Vi rekommenderar att kalka av maskinen regelbundet för att hålla den i gott skick. Kontakta våra servicecenter för mer information om denna process.



RENGÖRING AV MJÖLKBEHÅLLAREN OCH SKUMNINGSRÖRET

Även om du kan förvara mjölkbehållaren med överbliven mjölk i kylskåpet, är det viktigt att rengöra behållaren och skumningsröret regelbundet för att undvika igentäppning och uppbyggnad av avlagringar. För att rengöra mjölkbehållaren, följ instruktionerna nedan:

1. Ta bort mjölkbehållaren från apparaten
2. Ta bort behållarens lock.
3. Häll ut eventuell överbliven mjölk, skölj och diska mjölkbehållaren och dess lock med varmt såpavatten. Skölj och torka ordentligt. Använd inte slipande rengöringsmedel och skursvampar, då de kommer att repa finishen. Mjölkbehållaren kan även diskas i diskmaskinen (övre hyllan). Diska inte mjölkbehållarens lock i diskmaskinen.
4. Ställ en stor tom kopp under skumningsröret.
5. Tryck och håll knappen "Latte/Clean" intryckt i 3 sekunder och släpp den sedan. Apparaten frigör ånga genom skumningsröret, låt detta pågå några sekunder tills du inte ser någon mjölk i koppen. När du är klar, tryck på knappen "Latte/Clean" en gång.
6. Kassera eventuellt vatten som finns kvar i mjölkbehållaren och sätt tillbaka den på apparaten.

RENGÖRA BRYGGHUVUDET, PORTAFILTRET OCH FILTRET

1. Flytta strömbrytaren på apparatens ena sida till avstängt läge "O" och dra ur sladden ur eluttaget.
2. Vissa metalldelar kan fortfarande vara heta. Rör dem inte med händerna innan de har svalnat.
3. Avlägsna portafiltret och kasta kaffesumpen eller använd kapsel. Diska både portafiltret och filtret med varmt såpavatten och skölj av ordentligt. Diska inte portafiltret och filtren i diskmaskinen.
4. Torka av brygg huvudets nedre del i apparaten med en fuktig trasa eller pappershandduk för att ta bort eventuell kaffesump som kan finnas kvar.
5. Sätt tillbaka portafiltret (utan filter) i brygg huvudet i apparaten.
6. Ställ en stor tom kopp under portafiltret.
7. Tryck på knappen "Espresso" en gång och låt apparaten brygga med endast vatten tills den stoppar automatiskt.

RENGÖRA VATTENBEHÅLLAREN

Häll ut det kvarvarande vattnet genom att ta bort behållaren och vända den upp och ned över diskhon. Det rekommenderas att tömma vattenbehållaren mellan brygningarna. Diska vattenbehållaren med såpavatten, skölj ordentligt och torka torr. Vattenbehållaren kan även diskas i diskmaskin.

RENGÖRA APPARATEN

1. Torka av höljet med en mjuk, våt trasa. Använd inte slipande rengöringsmedel och skursvampar, då de kommer att repa finishen.
2. Förvara inte portafiltret i brygg huvudet. Detta kan påverka tätningen mellan brygg huvudet och portafiltret när du brygger espresso.

OBSERVERA: Sänk aldrig ned apparaten i vatten.

AVKALKNING

Mineralavlagringar som byggs upp i apparaten påverkar dess drift. Apparaten måste kalkas av när du börjar märka att det tar längre tid att brygga en espresso eller när det kommer överdriven mängd ånga från apparaten. Du kanske märker en ansamling av vita avlagringar på brygg huvudets yta. Rengöringsfrekvensen beror på hårdheten på vattnet som används. Följande tabell visar föreslagna rengöringsintervall.

Typ av vatten	Rengöringsfrekvens
Mjukt vatten (filtrerat vatten)	Varje 80 bryggcykler
Hårt vatten (kranvatten)	Varje 40 bryggcykler

FÖR ATT KALKA AV VATTENBEHÅLLAREN:

1. Fyll behållaren med ren, utspädd ättika.
2. Låt apparaten stå över natten med ättikalösningen i vattenbehållaren.
3. Häll ut ättikan genom att ta bort behållaren och vända den upp och ned över diskhon.
4. Skölj vattenbehållaren ordentligt med kranvatten genom att fylla den till hälften med vatten och sedan hälla ut vattnet i diskhon igen. Upprepa detta steg två gånger.

FÖR ATT KALKA AV INTERNA DELAR:

1. Se till att du kalkar av vattenbehållarens insida först genom att följa avkalkningsstegen i avsnittet ovan.
2. Se till att strömbrytaren är i läge "O" och att nätsladden har dragits ur eluttaget. Fyll behållaren med ättika över miniminivån i behållaren.
3. Sätt i portafiltret (med filter och utan kaffe) och ställ en skål/karaff eller vanlig kopp ovanpå droppbrickan och under portafiltret.
4. Sätt i kontakten i ett vägguttag.
5. Tryck på strömbrytaren för att slå på enheten ("I"). När de tre kontrollpanellamporna lyser blå, tryck två gånger på knappen "Espresso/Custom". Ättikan rinner genom apparaten och den stannar automatiskt.
6. Ställ en kanna eller stor kopp (med en kapacitet på minst 325 ml) under röret. Fyll mjölkbehållaren med vatten och sätt tillbaka på apparaten. Vrid skumkontrollreglaget medurs till rengöringsläget " ". Tryck sedan på knappen "Latte/Clean" i 3 sekunder för att aktivera rengöringsfunktionen. Låt vattnet rinna genom röret i ungefär 30 sekunder och tryck sedan på knappen "Latte/Clean" en gång för att stoppa processen.
7. Upprepa steg 1-7 så många gånger som krävs med endast kranvatten för att skölja bort eventuella ättikarester ur maskinen.

PROBLEM OCH ORSAKER

SE

PROBLEM	ORSAKER	LÖSNINGAR
Inget kaffe från apparaten.	Inget vatten i behållaren.	Tillsätt vatten
	Kaffemalningen är för fin.	Mal kaffet lite grövre.
	För mycket kaffe i filtret.	Fyll filtret med mindre kaffe.
	Apparaten var inte påslagen eller ansluten till elnätet.	Anslut apparaten till eluttaget och slå på den.
	Kaffet har packats/komprimerats för mycket.	Fyll filterkorgen igen med kaffe. Packa det inte för hårt.

91

PROBLEM	ORSAKER	LÖSNINGAR
Kaffe kommer ut runt portafiltrets kant.	Portafiltret har inte roterats till helt låst läge.	Rotera filterhållaren till helt låst läge.
	Kaffesump runt filterkorgens kant.	Torka av kanten
	För mycket kaffe i filtret.	Fyll med mindre kaffe.
Mjölk skummas inte eller kommer inte ut ur skumröret	Slut på ånga	Se till att det finns tillräckligt med vatten i behållaren.
	Mjölken är inte tillräckligt kall.	Kyl mjölken och skumkannan innan du brygger en cappuccino.
	Skumröret är igentäppt.	Följ instruktionerna för att rengöra mjölkbehållare & skumrör.
Kaffet rinner ut för snabbt	Det malda kaffet är för grovt.	Använd en finare malning.
	Inte tillräckligt med kaffe i filtret.	Använd mer kaffe.
Kaffet är för svagt.	Det lilla filtret används för en dubbel shot espresso	Använd det stora filtret för en dubbel shot espresso
	Det malda kaffet är för grovt.	Tillsätt vatten till behållaren.
De tre kontrollpanellamporna blinkar om vartannat	Vattentanken är tom	Tillsätt vatten till behållaren.



MILJÖVÄNLIG KASSERING

Du kan hjälpa till att skydda miljön!

Se till att följa lokala föreskrifter: lämna in trasiga elektriska apparater till en miljöstation för återvinning.

WAŻNE ŚRODKI BEZPIECZEŃSTWA

Podczas korzystania z urządzeń elektrycznych należy zawsze przestrzegać podstawowych środków ostrożności, aby zmniejszyć ryzyko pożaru, porażenia prądem elektrycznym i/lub obrażeń osób:

1. Przeczytaj uważnie całą instrukcję.
2. Sprawdzić, czy napięcie w gniazdku odpowiada napięciu podanemu na tabliczce znamionowej ekspresu do kawy.
3. W celu ochrony przed pożarem, porażeniem prądem i obrażeniami ciała nie zanurzać przewodu, wtyczki ani urządzenia w wodzie ani innej cieczy.
4. Gdy urządzenie jest używane przez dzieci lub w ich pobliżu, wymagany jest ścisły nadzór osoby dorosłej.
5. Gdy urządzenie nie jest używane oraz przed czyszczeniem, odłączyć je z gniazdka. Przed założeniem lub zdjęciem części oraz przed czyszczeniem urządzenia należy odczekać, aż ostygnie.
6. Nie używać urządzenia z uszkodzonym przewodem lub wtyczką lub gdy urządzenie działa nieprawidłowo lub jest w jakikolwiek sposób uszkodzone. Przekazać urządzenie do autoryzowanego serwisu w celu sprawdzenia, naprawy lub regulacji.
7. Użycie akcesoriów niezalecanych przez producenta urządzenia może spowodować pożar, porażenie prądem lub obrażenia ciała.
8. Aby odłączyć urządzenie, należy przekręcić dowolny element sterujący do pozycji wyłączenia, a następnie wyjąć wtyczkę z gniazdka.
9. Nie dotykać gorących powierzchni; używać uchwytów lub pokręteł.
10. Nie używać urządzenia na zewnątrz ani do celów komercyjnych.
11. Przewód nie może zwisać nad krawędzią stołu lub blatu ani dotykać gorącej powierzchni.
12. Używać urządzenia wyłącznie na równej twardej powierzchni, aby nie blokować przepływu powietrza pod urządzeniem.
13. Przed włączeniem urządzenia należy za każdym razem sprawdzić, czy pojemnik na wodę jest umieszczony w urządzeniu, ma zamkniętą pokrywę i jest napełniony wodą do co najmniej minimalnego poziomu.
14. Nie wolno zdejmować kolby podczas parzenia kawy. Przed wyjęciem kolby

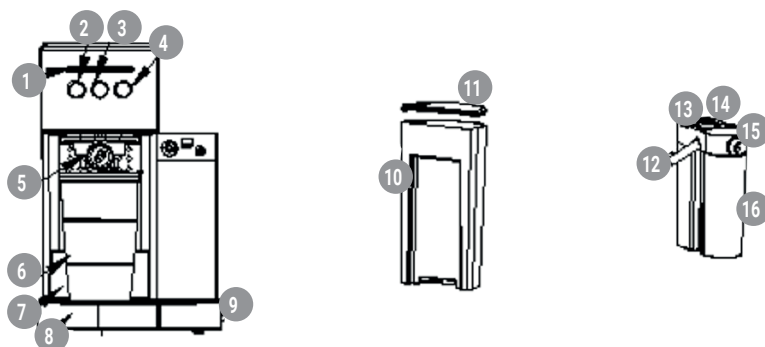
- w celu przygotowania dodatkowej kawy należy sprawdzić, czy trzy lampki są włączone. Należy również zachować ostrożność podczas zdejmowania kolby, ponieważ jej metalowe części są gorące. Kolbę należy chwycić za uchwyt i użyć klipsa, aby wyrzucić fusy. Należy zachować ostrożność podczas przenoszenia urządzenia, w którym znajdują się gorące płyny.
15. Nie wyjmować pojemnika na wodę, dopóki urządzenie nie zostanie wyłączone.
 16. Urządzenie nie jest przeznaczone do pracy z zewnętrznym zegarem ani oddzielnym systemem zdalnego sterowania.
 17. Urządzenie może być używane przez dzieci powyżej 8. roku życia i osoby o ograniczonych zdolnościach fizycznych, sensorycznych lub umysłowych lub bez doświadczenia i wiedzy, jeśli są one pod nadzorem lub zostały poinstruowane w kwestii bezpiecznego użytkowania urządzenia i rozumieją związane z tym zagrożenia. Dzieci nie mogą bawić się urządzeniem. Urządzenie nie może być czyszczone ani konserwowane przez dzieci poniżej 8. roku życia.
 18. Należy trzymać urządzenie i przewód zasilający w miejscu niedostępnym dla dzieci w wieku do 8 lat.
 19. Przed demontażem jakichkolwiek części i akcesoriów należy sprawdzić, czy trzy lampki są włączone, nacisnąć przycisk zasilania do pozycji wyłączenia „0” i odłączyć urządzenie od zasilania.
 20. Nie zdejmować kolby w żadnym momencie procesu parzenia kawy.
 21. Podczas zdejmowania kolby zachować ostrożność. Części metalowe mogą być nadal bardzo gorące. Ponadto na górnej powierzchni kolby może znajdować się gorąca woda. Kolbę trzymać tylko za uchwyt i usunąć fusy za pomocą klipsa.
 22. Jeśli kawa nie kapie z kolby, oznacza to, że filtr jest zatkany. Wyłączyć urządzenie i odczekać, aż ostygnie. Niedrożność filtra może być spowodowana zbyt drobno zmieloną kawą. Patrz sekcja „PROBLEMY I PRZYCZYNY”.
 23. CZYSZCZENIE RURKI DOZOWNIKA SPIENIONEGO MLEKA: Umieścić dużą filiżankę pod rurką. Napełnić pojemnik na mleko wodą i umieścić go z

- powrotem w urządzeniu. Obrócić pokrętkę regulacji spieniania zgodnie z ruchem wskazówek zegara do pozycji czyszczenia „ ”, a następnie nacisnąć przycisk Latte/Clean przez 3 sekundy i zwolnić go, aby włączyć funkcję czyszczenia. Pozwolić, aby urządzenie przepuszczało wodę przez rurkę przez około 30 sekund, a następnie nacisnąć przycisk Latte/Clean w celu zatrzymania procesu.
24. Nie umieszczać urządzenia na gorących palnikach gazowych lub elektrycznych ani w ich pobliżu, ani w rozgrzanym piekarniku.
 25. Nie używać urządzenia do celów niezgodnych z przeznaczeniem.
 26. Nie pozostawiać włączonego urządzenia bez nadzoru.
 27. Urządzenie jest przeznaczone do użytku domowego i podobnych zastosowań, jak np.:
 - pomieszczenia kuchenne dla personelu w sklepach, biurach i innych miejscach pracy,
 - gospodarstwa rolne,
 - hotele, motele i inne rodzaje zakwaterowania,
 - pensjonaty.
 28. Należy zachować tę instrukcję.

PRZESTROGA: CIŚNIENIE

Aby uniknąć poparzenia i innych obrażeń spowodowanych gorącą parą i wodą lub uszkodzenia urządzenia, nie wolno wyjmować pojemnika na wodę ani zdejmować kolby, gdy ekspres parzy kawę lub spienia mleko. Przed wyjęciem kolby w celu przygotowania dodatkowej filiżanki kawy należy sprawdzić, czy trzy lampki są włączone. Jeśli trzeba dodać więcej wody lub mleka do pojemników, należy sprawdzić, czy trzy kontrolki są włączone, i upewnić się, że urządzenie jest wyłączone, naciskając czerwony przycisk z boku urządzenia do pozycji wyłączenia „0”.

BUDOWA URZĄDZENIA



1	Wskaźnik	9	Przełącznik zasilania
2	Przycisk Espresso	10	Zdejmowany pojemnik na wodę
3	Przycisk Cappuccino	11	Pokrywa pojemnika na wodę
4	Przycisk Latte	12	Rurka dozownika spienionego mleka
5	Kolba	13	Dźwignia rurki spienionego mleka
6	Kubek podróżny	14	Pokrętko sterowania spienianiem
7	Szuflada do regulacji wysokości filiżanki	15	Pokrywa pojemnika na mleko
8	Tacka ociekowa	16	Wymowany/przezroczysty pojemnik na mleko

PIERWSZE UŻYCIE

PIERWSZE UŻYCIE

Czyszczenie i wstępne zalewanie układu urządzenia przed pierwszym użyciem.

W sekcji „Budowa urządzenia” można zapoznać się z produktem i jego częściami.

1. Należy wyłączyć urządzenie („0”) poprzez naciśnięcie przycisku zasilania znajdującego się z jego boku. Urządzenie musi być także odłączone od zasilania.
2. Usunąć naklejki i etykiety z urządzenia.
3. Najpierw wyjąć, a następnie umyć pojemnik na wodę, pojemnik na mleko, kolbę, trzy filtry i miarkę przy pomocy roztworu łagodnego detergentu i wody. Dokładnie opłukać każdy z tych elementów i umieścić je z powrotem w urządzeniu.

4. Przed umieszczeniem lub wyjęciem kolby i filtra z urządzenia należy zapoznać się z instrukcjami zawartymi w sekcji „ZAKŁADANIE KOLBY”.
5. Aby wyczyścić wnętrze urządzenia, należy wykonać czynności podane w sekcji „PRZYKOTOWANIE CAPPUCINO”, używając wody w obu pojemnikach i nie umieszczając kawy w kolbie. Nie wolno zanurzać urządzenia w wodzie ani próbować dostać się do jego wewnętrznych części.

UWAGA: Aby urządzenie działało prawidłowo, należy je czyścić po każdym użyciu.

WAŻNE – NALEŻY WSTĘPNIE ZALAĆ UKŁAD URZĄDZENIA

Aby wstępnie zalać układ urządzenia, należy uruchomić cykl pary na 90 sekund, wykonując poniższe czynności:

1. Napełnić pojemnik na wodę do poziomu pomiędzy oznaczeniami „Min” i „Max”.
2. Napełnić pojemnik na mleko wodą do poziomu pomiędzy oznaczeniami „Min” i „Max”.
3. Wybrać jeden z filtrów i umieścić go w kolbie. Umieścić kolbę w urządzeniu, upewniając się, że jest prawidłowo zablokowana, i umieścić pod nią filiżankę. Upewnić się także, że końcówka rurki dozującej spienione mleko znajduje się wewnątrz filiżanki.
4. Podłączyć urządzenie do odpowiedniego gniazdka.
5. Włączyć przycisk zasilania, ustawiając go w pozycji „I”.
6. Trzy lampki kontrolne na panelu sterowania zaczną migać. Gdy lampki te zaczną świecić światłem ciągłym, nacisnąć dwukrotnie przycisk Cappuccino.
7. Po zakończeniu tego procesu trzy lampki zaczną świecić światłem ciągłym.

Urządzenie jest gotowe do użycia.

WYBÓR ODPOWIEDNIEJ FILIŻANKI

Przed przygotowaniem napoju należy wybrać odpowiedni rozmiar filiżanki zgodnie z poniższą tabelą:

Rodzaje kawy i wielkości filiżanek		
Espresso	Pojedyncze	60 ml (2oz)
	Podwójne	119 ml (4oz)
Cappuccino	Pojedyncze	178 ml (6oz)
	Podwójne	355 ml (12oz)
Latte	Pojedyncze	296 ml (10oz)
	Podwójne	474 ml (16oz)



WYBÓR ODPOWIEDNIEJ KAWY

KAWA

Kawa powinna być świeżo zmielona i ciemno palona. Do espresso można spróbować użyć francuskiej lub włoskiej kawy mielonej. Wstępnie zmielona kawa zachowuje swój smak tylko przez 7–8 dni, pod warunkiem że jest przechowywana w szczelnym pojemniku i w chłodnym, ciemnym miejscu. Kawy nie należy przechowywać w lodówce ani zamrażarce. Zaleca się zmielenie kawy ziarnistej tuż przed użyciem. Kawa ziarnista przechowywana w szczelnym pojemniku zachowa swój smak nawet przez 4 tygodnie.

MIELENIE

Jest to bardzo ważny etap parzenia espresso, który wymaga pewnej wprawy. Kawa musi być drobno zmielona. Ziarno prawidłowo zmielonej kawy powinny przypominać sól. Jeśli stopień zmielenia jest zbyt drobny, woda nie będzie przepływać przez kawę nawet pod wysokim ciśnieniem. Tak zmielone ziarna wyglądają jak proszek, a w dotyku przypominają mąkę, gdy rozetrzeć je w palcach. Jeśli kawa jest zbyt grubo zmielona, woda przepływa przez nią zbyt szybko, co uniemożliwia uzyskanie pełnego smaku. Należy używać młynka o wysokiej jakości, aby uzyskać jednolite zmielenie.

INSTRUKCJA OBSŁUGI

NAPEŁNIANIE POJEMNIKA NA WODĘ

1. Napełnić pojemnik wodą. Można użyć do tego celu dzbanka lub wyjąć pojemnik z urządzenia i napełnić pod kranem. Jeżeli pojemnik został wyjęty z urządzenia w celu napełnienia wodą, należy włożyć go z powrotem na miejsce. Napełnić pojemnik żądaną ilością wody, tak by mieściła się ona między oznaczeniami „Min” i „Max”. Nie wolno napełniać pojemnika na wodę ciepłą ani gorącą wodą.
2. Zamknąć pokrywę pojemnika na wodę i umieścić go z powrotem w urządzeniu, sprawdzając, czy został dobrze osadzony.

NAPEŁNIANIE POJEMNIKA NA MLEKO

Jeżeli planowane jest przygotowanie cappuccino lub latte, należy wyjąć pojemnik na mleko z urządzenia i otworzyć pokrywę, a następnie wlać potrzebną ilość zimnego mleka, tak by mieściła się ona między oznaczeniami „Min” i „Max”. Następnie umieścić pojemnik na mleko z powrotem w urządzeniu, sprawdzając, czy został dobrze osadzony.

Uwaga: można użyć dowolnego rodzaju mleka, tj. mleka pełnego, chudego, organicznego lub sojowego.



WYBÓR FILTRA

Należy wybrać filtr, który ma być użyty, w następujący sposób:

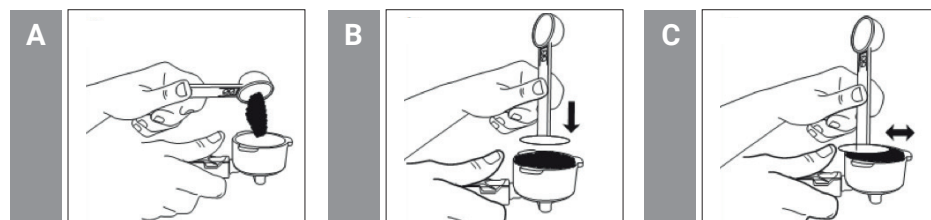
1. W PRZYPADKU POJEDYNCZEJ KAWY – w przypadku stosowania kawy mielonej należy użyć filtra do przygotowania pojedynczej porcji espresso.
2. W PRZYPADKU PODWÓJNEJ KAWY LUB DWÓCH POJEDYNCZYCH KAW – użyć filtra do podwójnej kawy.

NAPEŁNIANIE KAWĄ

Umieścić wybrany filtr w kolbie w następujący sposób:

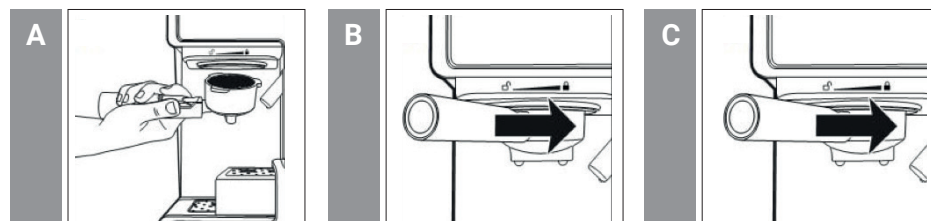
W PRZYPADKU KAWY MIELONEJ:

1. Napełnić filtr świeżą drobno zmieloną kawą espresso (nie przepelniać).
2. Ubić i ugnieść mocno i równomiernie zmieloną kawę.
3. Oczyszczyć brzegi z nadmiaru kawy, aby zapewnić prawidłowe dopasowanie pod głowicą zaparzającą.



ZAKŁADANIE KOLBY

1. Umieścić kolbę pod głowicą zaparzającą i założyć kolbę, przesuwaną najpierw klips mocujący do tyłu.
2. Ustawić uchwyt w taki sposób, aby pokrywał się z symbolem otwartej kłódki „, ” na urządzeniu i pasował do rowka.
3. Następnie powoli obrócić go w prawo, aż klips mocujący znajdzie się w jednej linii z symbolem zamkniętej kłódki „, ” na urządzeniu.





UMIESZCZANIE FILIŻANKI/FILIŻANEK

1. Jeśli używana jest mała filiżanka do zaparzania espresso, należy wysunąć szufladę do regulacji wysokości.
2. Jeśli używana jest większa filiżanka do zaparzania cappuccino, schować szufladę regulacji wysokości w komorze.
3. Jeśli używana jest większa filiżanka do zaparzania latte, schować szufladę regulacji wysokości w komorze.

PRZESTROGA: Podczas zaparzania cappuccino lub latte należy pamiętać o wyregulowaniu dźwigni rurki spieniającej, tak aby umieścić rurkę dozującą spienione mleko wewnątrz używanej filiżanki.

WŁĄCZANIE URZĄDZENIA

1. Urządzenie powinno być podłączone do zasilania.
2. Włączyć urządzenie, ustawiając przełącznik w pozycji „I”.

Trzy lampki na panelu sterowania zaczną migać podczas podgrzewania, aż do osiągnięcia przez wodę idealnej temperatury. Gdy lampki zaczną świecić światłem stałym, urządzenie jest gotowe do użycia.

WYBÓR FUNKCJI

PARZENIE ESPRESSO

1. Nacisnąć przycisk Espresso jednokrotnie, aby zaparzyć pojedynczą porcję kawy.
2. Nacisnąć przycisk Espresso dwukrotnie, aby zaparzyć podwójną porcję kawy.
3. Nacisnąć i przytrzymać przycisk Espresso przez 3 sekundy, aby dostosować sposób parzenia do własnych preferencji. Po zakończeniu wyboru nacisnąć przycisk Espresso jeszcze raz, aby zatrzymać procedurę.

Urządzenie zacznie parzyć espresso zgodnie z dokonanym wyborem. Urządzenie wyłączy się automatycznie, a lampki zaczną świecić światłem stałym, co oznacza, że cykl został zakończony. Espresso jest gotowe.

UWAGA: Aby zaparzyć mniejszą ilość kawy niż porcja określona w ustawieniach, należy nacisnąć przycisk funkcji, aby zatrzymać proces parzenia po uzyskaniu żądanej ilości napoju.

PARZENIE CAPPUCCINO

Przed przygotowaniem cappuccino należy dostosować ilość spienionego mleka do własnych preferencji, przekręcając pokrętko regulacji spieniania w prawo, aby uzyskać większą ilość pianki, lub w lewo, aby uzyskać mniejszą ilość pianki.

UWAGA: Intensywność spienienia można regulować podczas cyklu parzenia.

1. Nacisnąć przycisk Cappuccino jednokrotnie, aby zaparzyć małą filiżankę cappuccino.
 2. Nacisnąć przycisk Cappuccino dwukrotnie, aby zaparzyć dużą filiżankę cappuccino.
- Urządzenie zacznie parzyć cappuccino zgodnie z dokonanym wyborem. Cappuccino jest gotowe.





PARZENIE LATTE

Przed przygotowaniem latte należy dostosować ilość spienionego mleka do własnych preferencji, przekręcając pokrętko regulacji spieniania w prawo, aby uzyskać większą ilość pianki, lub w lewo, aby uzyskać mniejszą ilość pianki.

1. Nacisnąć przycisk Latte jednokrotnie, aby zaparzyć małą filiżankę latte.
2. Nacisnąć przycisk Latte dwukrotnie, aby zaparzyć dużą filiżankę latte.

PRZYGOTOWYWANIE SPIENIONEGO MLEKA

Urządzenie umożliwia przygotowanie samego spienionego mleka. Nacisnąć i przytrzymać przycisk Cappuccino przez 3 sekundy, aby dodać więcej pianki do napoju lub przygotować spienione mleko do innego napoju, np. macchiato, gorącej czekolady, chai latte itp. Po zakończeniu wyboru nacisnąć przycisk Cappuccino jeszcze raz, aby zatrzymać procedurę.

PO PRZYGOTOWANIU NAPOJÓW Z MLEKIEM

Po zakończeniu przygotowywania napoju z mlekiem można przechowywać pojemnik z mlekiem bezpośrednio w lodówce (gotowy do ponownego użycia) lub wylać resztki mleka.

WPROWADZENIE

ESPRESSO

Metoda parzenia kawy polegająca na przepuszczeniu gorącej wody przez drobno zmieloną kawę. Popularne w Europie espresso ma o wiele bogatszy i pełniejszy smak niż zwykła kawa parzona w ekspresie przelewowym. Ze względu na intensywność espresso podaje się zazwyczaj w porcjach o pojemności 44–59 ml w małych filiżankach.

CAPPUCCINO

Napój składający się z około 1/3 espresso, 1/3 mleka podgrzanego parą i 1/3 mleka spienionego.

LATTE

Napój składający się z około 1/4 espresso i 3/4 mleka podgrzanego parą. Przed rozpoczęciem użytkowania urządzenia należy dokładnie przeczytać WSZYSTKIE instrukcje, ostrzeżenia, uwagi i ostrzeżenia zawarte w niniejszej instrukcji obsługi. Podczas używania urządzenia niektóre części i akcesoria nagrzewają się i muszą ostygnąć, zanim będzie można ich dotknąć. Właściwa pielęgnacja i konserwacja pozwoli na wieloletnie bezproblemowe korzystanie z automatycznego ekspresu do espresso, cappuccino i latte. Należy zachować tę instrukcję i korzystać z niej podczas czyszczenia i pielęgnacji urządzenia.



PRAWIDŁOWE UŻYCIĘ KAWY MIELONEJ W EKSPRESIE

Nie należy używać kawy mielonej ani ziarnistej palonej z cukrem, ponieważ może ona zatkać filtr i uszkodzić urządzenie. W przypadku przypadkowego użycia kawy palonej z cukrem należy zaprzestać używania urządzenia i przekazać je do najbliższego punktu serwisowego w celu przeprowadzenia konserwacji. Zalecamy okresowe odkamienianie urządzenia, aby utrzymać je w dobrym stanie technicznym. Informacje na temat tego procesu można uzyskać w naszych centrach serwisowych.

CZYSZCZENIE POJEMNIKA NA MLEKO I RURKI SPIENIAJĄCEJ

Mimo że pojemnik na mleko z pozostałym mlekiem można przechowywać w lodówce, ważne jest, aby regularnie czyścić pojemnik i rurkę spieniającą, aby uniknąć ich zapchania i nagromadzenia się osadów. Aby wyczyścić pojemnik na mleko, należy postępować zgodnie z poniższymi instrukcjami:

1. Wyjąć pojemnik z urządzenia.
2. Zdjąć pokrywę z pojemnika.
3. Wylać resztki mleka, a pojemnik na mleko i jego pokrywę dokładnie wypłukać i umyć ciepłą wodą z detergentem. Dokładnie wypłukać i osuszyć. Nie używać ściernych środków czyszczących i szorujących, ponieważ porysują one powierzchnię. Pojemnik na mleko nadaje się również do mycia w zmywarce (na górnej półce). Nie umieszczać pokrywy pojemnika na mleko w zmywarce.
4. Umieścić dużą pustą filiżankę pod rurką spieniającą.
5. Nacisnąć i przytrzymać przycisk Latte/Clean przez 3 sekundy, a następnie zwolnić go. Urządzenie zacznie wypuszczać parę przez rurkę spieniającą. Należy odczekać kilka sekund, aż w filiżance przestanie pojawiać się mleko. Po zakończeniu naciśnięć przycisk Latte/Clean, aby zatrzymać proces.
6. Wylać wodę pozostałą w pojemniku na mleko i umieścić go z powrotem w urządzeniu.

CZYSZCZENIE GŁOWICY ZAPARZAJĄCEJ, KOLBY I FILTRA

1. Ustawić przycisk zasilania z boku urządzenia w pozycji wyłączenia („0”) i wyjąć wtyczkę przewodu zasilającego z gniazdka elektrycznego.
2. Niektóre części metalowe mogą być nadal gorące. Nie należy ich dotykać, dopóki nie ostygną.
3. Zdjąć kolbę i wyrzucić fusy. Umyć kolbę i filtr ciepłą wodą z detergentem i dokładnie je wypłukać. Nie należy myć kolby i filtrów w zmywarce.
4. Przetrzeć dolną część głowicy zaparzącej w urządzeniu wilgotną ściereczką lub ręcznikiem papierowym, aby usunąć wszelkie pozostałości fusów.
5. Umieścić kolbę (bez filtra) z powrotem w głowicy zaparzącej w urządzeniu.
6. Umieścić dużą pustą filiżankę pod kolbą.
7. Nacisnąć jednokrotnie przycisk Espresso i pozwolić, aby urządzenie zaparzyło samą wodę, aż do automatycznego zatrzymania.

CZYSZCZENIE POJEMNIKA NA WODĘ

Wylać pozostałą wodę, wyjmując pojemnik i odwracając go do góry dnem nad zlewem. Zaleca się opróżnianie pojemnika na wodę pomiędzy kolejnymi użyciami. Umyć pojemnik na wodę wodą z detergentem, dokładnie wypłukać i wytrzeć do sucha. Pojemnik na wodę nadaje się również do mycia w zmywarce.

CZYSZCZENIE URZĄDZENIA

1. Przetrzeć obudowę miękką wilgotną szmatką. Nie używać ściernych środków czyszczących i szorujących, ponieważ porysują one powierzchnię.
2. Nie trzymać kolby na głowicy zaparządzającej, gdy urządzenie nie jest używane. Może to negatywnie wpłynąć na uszczelnienie pomiędzy głowicą zaparządzającą a kolbą podczas parzenia kawy.

PRZESTROGA: Nie zanurzać urządzenia w wodzie.

ODKAMIENIANIE

Osady mineralne gromadzące się w urządzeniu wpływają niekorzystnie na jego działanie. Urządzenie należy odkamienić, gdy czas potrzebny do zaparzenia kawy wydłuży się lub gdy urządzenie generuje nadmierną ilość pary. Może być także zauważalne nagromadzenie białego osadu na powierzchni głowicy zaparządzającej. Częstotliwość czyszczenia zależy od twardości używanej wody. W poniższej tabeli podano sugerowane okresy czyszczenia.

Rodzaj wody	Częstotliwość czyszczenia
Woda miękka (woda filtrowana)	Co 80 cykli parzenia
Woda twarda (woda z kranu)	Co 40 cykli parzenia

ODKAMIENIANIE POJEMNIKA NA WODĘ:

1. Napełnić pojemnik świeżym, nierozcieńczonym octem spirytusowym.
2. Pozostawić urządzenie na noc z octem w pojemniku na wodę.
3. Wylać ocet, wyjmując pojemnik i odwracając go do góry dnem nad zlewem.
4. Wypłukać dokładnie pojemnik na wodę wodą z kranu poprzez napełnienie go do połowy wodą, a następnie wylanie wody z powrotem do zlewu. Czynność dwukrotnie powtórzyć.

ODKAMIENIANIE CZĘŚCI WEWNĘTRZNYCH:

1. Najpierw należy odkamienić wnętrze pojemnika na wodę zgodnie z powyższą procedurą.
2. Upewnić się, że przycisk zasilania jest ustawiony w pozycji „0”, a przewód zasilający jest odłączony od gniazdka elektrycznego. Napełnić pojemnik octem spirytusowym powyżej minimalnego poziomu w pojemniku.
3. Założyć kolbę (z filtrem i bez kawy) i umieścić dzbanek lub zwykłą filiżankę na tacce ociekowej i pod kolbą.
4. Podłączyć przewód zasilający do gniazdka elektrycznego.
5. Nacisnąć przycisk zasilania, aby włączyć urządzenie (pozycja „I”), a gdy 3 lampki na panelu sterowania zaświecą się na niebiesko, nacisnąć dwukrotnie przycisk Espresso.

- so/Custom. Ocet zacznie przepływać przez urządzenie. Proces zostanie automatycznie zatrzymany.
- Umieścić dzbanek lub dużą filiżankę (co najmniej 325 ml) pod rurką. Napełnić pojemnik na mleko wodą i umieścić go z powrotem w urządzeniu. Obrócić pokrętko regulacji spieniania zgodnie z ruchem wskazówek zegara do pozycji czyszczenia „ ”, a następnie nacisnąć przycisk Latte/Clean przez 3 sekundy, aby włączyć funkcję czyszczenia. Pozwolić, aby urządzenie przepuszczało wodę przez rurkę przez około 30 sekund, a następnie nacisnąć przycisk Latte/Clean w celu zatrzymania procesu.
 - Jeśli to konieczne, powtórzyć kroki 1–7, używając wyłącznie wody z kranu, aby wypłukać z urządzenia wszelkie pozostałości octu.

PROBLEMY I PRZYCZYNY

PROBLEM	PRZYCZYNY	ROZWIĄZANIA
Kawa nie wypływa z kolby.	Brak wody w pojemniku.	Nalać wodę.
	Kawa jest zbyt drobno zmielona.	Zastosować średnio zmieloną kawę.
	Za dużo kawy w filtrze.	Napełnić filtr mniejszą ilością kawy.
	Urządzenie nie zostało włączone lub nie jest podłączone do prądu.	Podłączyć urządzenie do gniazdka elektrycznego i włączyć je.
	Kawa została zbyt mocno ubita.	Napełnić ponownie kolbę kawą, nie ubijając jej zbyt mocno.

PROBLEM	PRZYCZYNY	ROZWIĄZANIA
Kawa wypływa wokół krawędzi kolby.	Kolba nie została obrócona do pozycji zamknięcia.	Obrócić kolbę do pozycji zamknięcia.
	Wokół kolby widoczna jest zmielona kawa.	Wytrzeć obrzeże kolby.
	Za dużo kawy w filtrze.	Napełnić mniejszą ilością kawy.
Mleko nie jest spienione lub nie wypływa z rurki spieniającej.	Brak pary.	Upewnić się, że w pojemniku jest wystarczająca ilość wody.
	Mleko nie jest wystarczająco chłodne.	Przed przygotowaniem cappuccino schłodzić mleko i dzbanek do spieniania.
	Rurka spieniająca jest zatkana.	Postępować zgodnie z instrukcją, aby wyczyścić pojemnik na mleko i rurkę spieniającą.
Kawa wypływa zbyt szybko.	Kawa jest zmielona zbyt grubo.	Użyć drobniej zmielonej kawy.
	Zbyt mała ilość kawy w filtrze.	Użyć większej ilości kawy.
Kawa jest za słaba.	Użycie małego filtra do podwójnego espresso.	Użyć dużego filtra do zaparzenia podwójnego espresso.
	Kawa jest zmielona zbyt grubo.	Nalać wodę do pojemnika.
Trzy lampki kontrolne na panelu sterowania migają naprzemiennie.	Brak wody w pojemniku na wodę.	Nalać wodę do pojemnika.



UTYLIZACJA PRZYJAZNA DLA ŚRODOWISKA

Mogą Państwo przyczynić się do ochrony środowiska naturalnego! Prosimy pamiętać o przestrzeganiu lokalnych przepisów: nie działające urządzenia elektryczne należy oddać do odpowiedniego punktu zbiórki odpadów.







BluMill



Distributed by: **OCG Retail**

Eemnesserweg 11-10

1251 NA Laren

the Netherlands

klantenservice@omnichannelgroup.com



www.blumill.shop